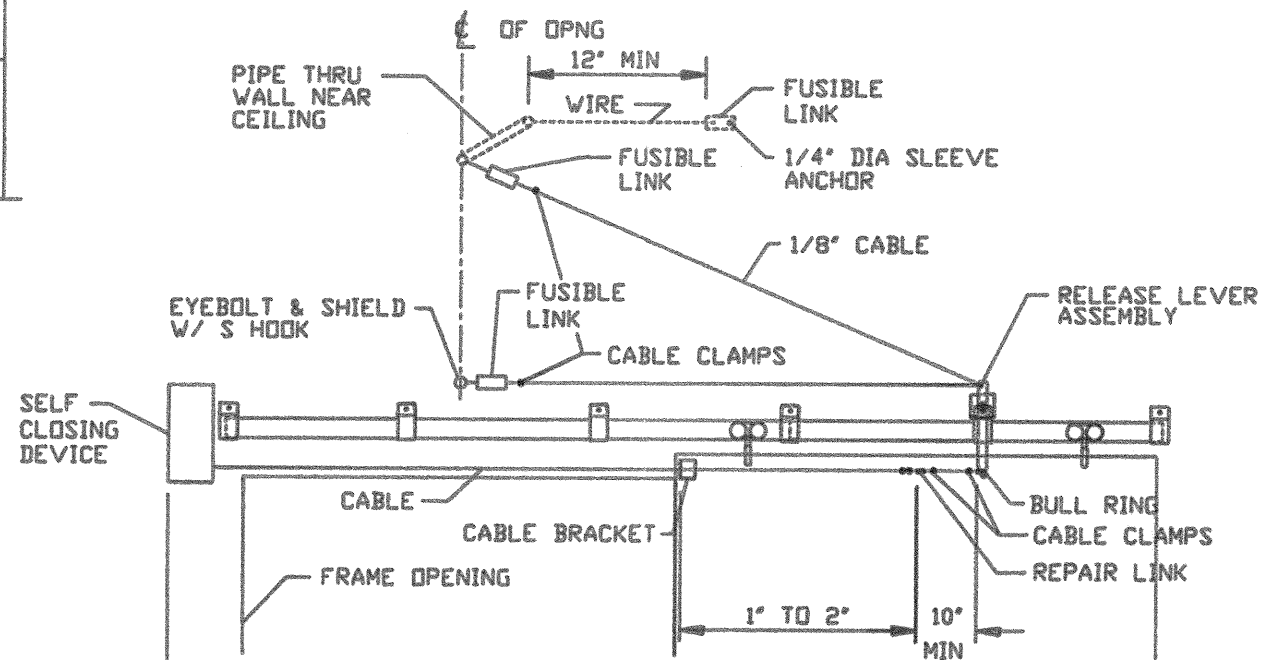


HEAD SECTION

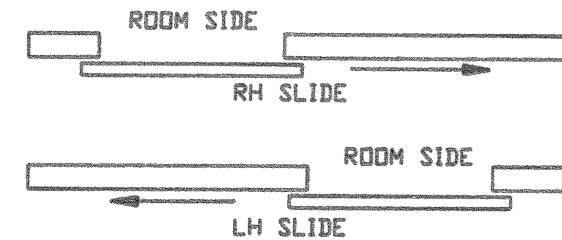
SELF CLOSING DEVICE INSTALLATION INSTRUCTIONS

1. INSTALL SELF CLOSING DEVICE AFTER ALL OTHER HARDWARE HAS BEEN INSTALLED AND THE DOOR HAS BEEN ADJUSTED.
2. LOCATE CABLE BRACKET ON DOOR AND SLIDE FULLY OPEN.
3. INSTALL RELEASE LEVER ASSEMBLY TO THE NEXT BRACKET PAST THE CABLE BRACKET. (OR IF THIS BRACKET IS TO CLOSE, USE THE NEXT TRACK BRACKET FURTHER DOWN THE TRACK), BY BOLTING OR WELDING IN PLACE.
4. ATTACH ONE END OF 1/8" x 48" CABLE TO THE BULLRING, ATTACH THE OTHER END TO THE REPAIR LINK. MAKE THIS CABLE LONG ENOUGH SO THE REPAIR LINK IS 1" TO 2" AWAY FROM CABLE BRACKET ON DOOR. CUT OFF EXCESS CABLE.
5. RUN OTHER PIECE OF 1/8" CABLE THRU RELEASE LEVER AS SHOWN IN THE ELEVATION AND HOOK TO FUSE LINKS AND THRU WALL FUSE LINK AS SHOWN.
6. ATTACH CABLE FROM THE SELF CLOSING DEVICE TO THE OTHER END OF THE REPAIR LINK, RUN CABLE THRU THE HOLE IN THE CABLE BRACKET.
7. AFTER INSTALLATION IS COMPLETE, UNHOOK BULLRING FROM RELEASE LEVER AND MAKE SURE SELF CLOSING DEVICE PULLS DOOR LEVER.



ELEVATION
SELF CLOSING DEVICE INSTALLATION

HANDS OF DOORS



NOTES:

DATE	MK	DESCRIPTION	BY
REVISIONS			

CUSTOMER:
PROJECT:



PROTECTIVE DOOR INDUSTRIES
HARVEY, ILLINOIS 60426

TITLE
SELF CLOSING DEVICE DETAILS

DWG BY	MF	CHKD BY	
DATE	2/26/03	DATE	
SCALE		QA	
DWG NO.	1500-03	SHT NO.	6

NOTICE

THIS IS A CONFIDENTIAL DISCLOSURE LOANED BY PROTECTIVE DOOR IND. SUBJECT TO THE CONDITIONS THAT IT AND THE INFORMATION EMBODIED THEREIN SHALL BE USED ONLY FOR RECORD AND REFERENCE PURPOSES, SHALL NOT BE USED OR CAUSED TO BE USED IN ANYWAY PREJUDICIAL TO THE INTEREST OF THIS COMPANY, SHALL NOT BE REPRODUCED OR COPIED IN WHOLE OR IN PART, AND SHALL BE RETURNED UPON REQUEST.

GENERAL CONDITIONS

P.D.I. WILL NOT BE LIABLE FOR ANY ERRORS OCCURRING TO OTHER TRADES THROUGH THE USE OF THIS DRAWING. CONTRACTOR TO CHECK ALL DIMENSIONS AT JOB AS P.D.I. ASSUMES NO RESPONSIBILITY FOR GENERAL BUILDING DIMENSIONS.