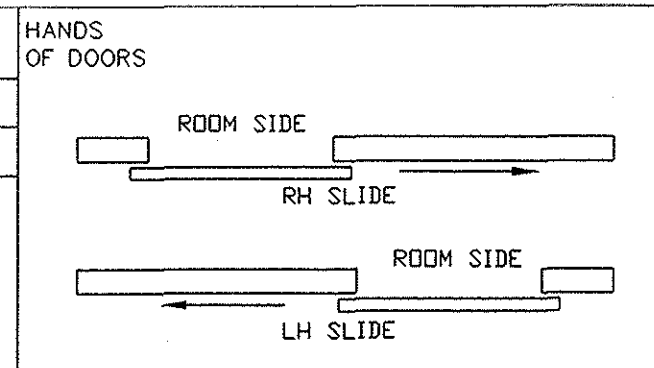
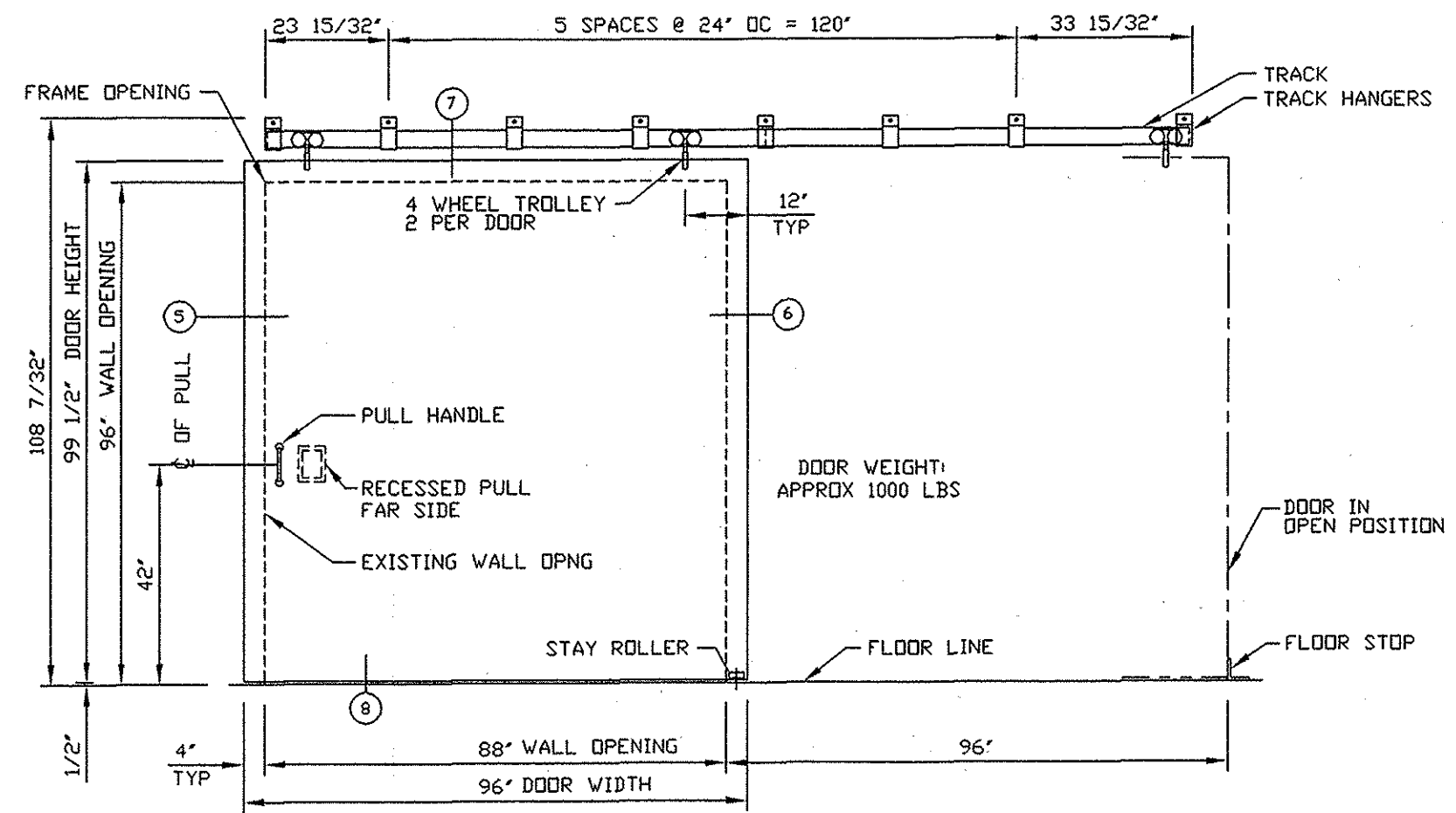


QUAN.	MARK NO	HAND	LOCATION		EXISTING WALL OPNG		FRAME OPNG		DOOR SIZE		DOOR ELEV	SECTIONS				REMARKS
			HDWE SIDE	ROOM SIDE	WIDTH	HEIGHT	WIDTH	HEIGHT	WIDTH	HEIGHT		LEAD	TRAIL	HEAD	SILL	
1	101B	LH	SOLVENT MIX RM 101	ROOM	88'	96'	NA	NA	96'	99 1/2'	B	5	6	7	8	



- NOTES:
- 100 PSF STATIC EQUIVALENT PRESSURE W/ 100% REBOUND
 - FIRE RATING - NONE
CERT OF NON-COMBUSTIBLE CONSTRUCTION
 - FINISH: STD GREY PRIMER
 - HARDWARE: (PER OPENING)
 - (1) PAIR 4-207 4-WHEEL TROLLEYS WITH M20 DIA PENDANT AND WHEELS x ZINC
 - (2) 4-30-24 BOX TRACK x 94' & 82' LG x ZINC
 - (7) 4-100 TRACK BRACKET x ZINC
 - (1) 4-102 JOINT TRACK BRACKET x ZINC
 - (2) 4-051 CLOSED END PIECE x ZINC
 - (1) #95-605 PULL HANDLE x ZINC
 - (1) #470-P1 RECESSED PULL x FINISH PAINTED
 - (1) STAY ROLLER x FINISH PAINTED
 - (1) 97-713 FLOOR STOP x ZINC
 - (1) SET PRESSURE RESTRAINTS x USP FINISH



ELEVATION B
RH SLIDE SHOWN
(1) REQD LH SLIDE OPPOSITE

IMPORTANT NOTE:
WALL MUST BE CAPABLE OF SUPPORTING 33 LB/IN IN THE SEATING AND UNSEATING DIRECTION.

DATE	MK	DESCRIPTION	BY

REVISIONS

CUSTOMER:

PROJECT:

PROTECTIVE DOOR INDUSTRIES
HARVEY, ILLINOIS 60426

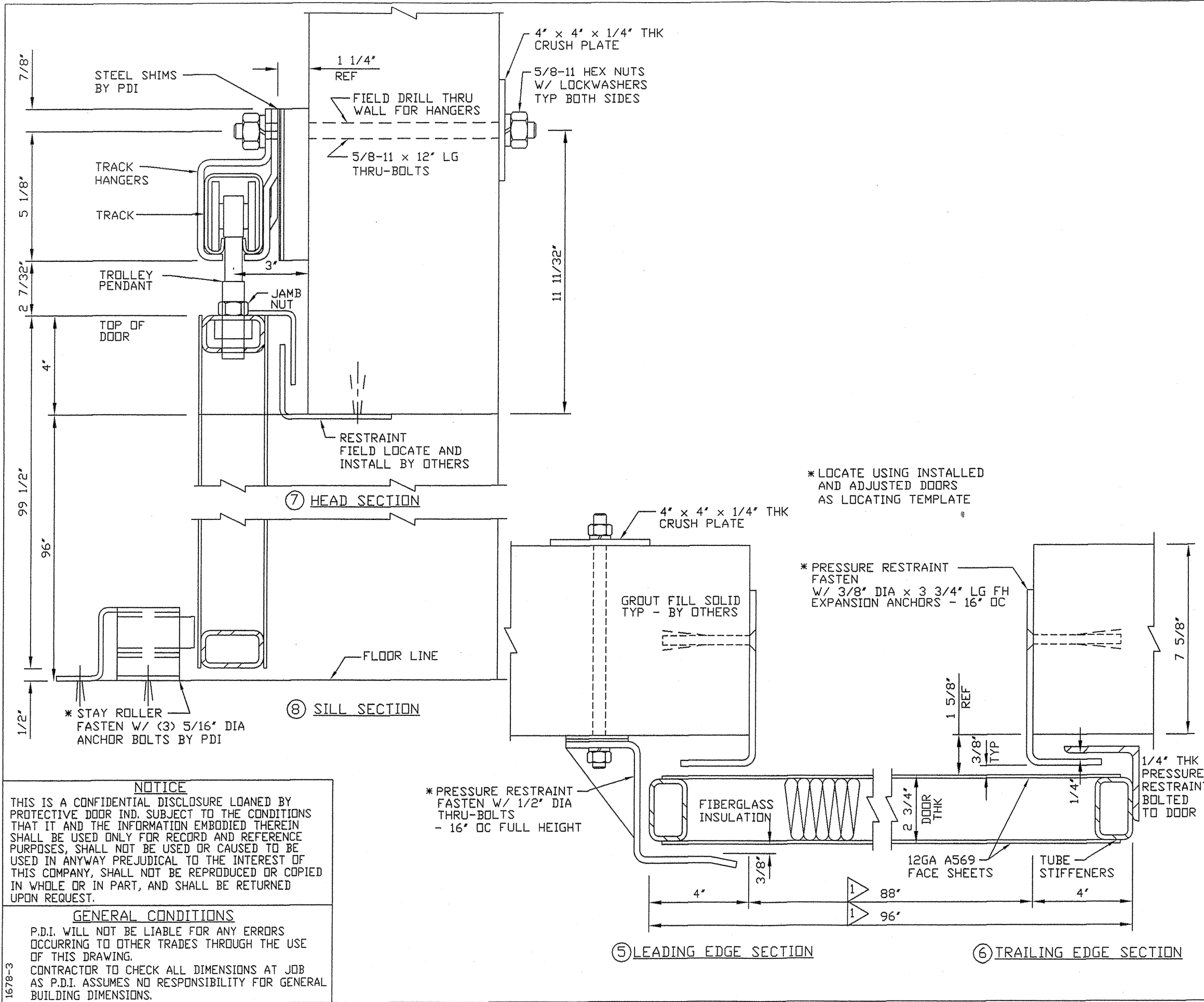
TITLE			
DB-100 PRESSURE RESISTANT SINGLE SLIDING DOOR			
DWG BY	MF	CHKD BY	
DATE	5/22/07	DATE	
SCALE		QA	
DWG NO.	1678-07	SHT NO.	2

NOTICE
THIS IS A CONFIDENTIAL DISCLOSURE LOANED BY PROTECTIVE DOOR IND. SUBJECT TO THE CONDITIONS THAT IT AND THE INFORMATION EMBODIED THEREIN SHALL BE USED ONLY FOR RECORD AND REFERENCE PURPOSES, SHALL NOT BE USED OR CAUSED TO BE USED IN ANYWAY PREJUDICIAL TO THE INTEREST OF THIS COMPANY, SHALL NOT BE REPRODUCED OR COPIED IN WHOLE OR IN PART, AND SHALL BE RETURNED UPON REQUEST.

GENERAL CONDITIONS
P.D.I. WILL NOT BE LIABLE FOR ANY ERRORS OCCURRING TO OTHER TRADES THROUGH THE USE OF THIS DRAWING.
CONTRACTOR TO CHECK ALL DIMENSIONS AT JOB AS P.D.I. ASSUMES NO RESPONSIBILITY FOR GENERAL BUILDING DIMENSIONS.


PLOT SCALE 1-4
1678-2

MASTER



NOTES:
1. SEE DWG 1678-2.

6/25/07	1	PER APPROVAL	MF
DATE	MK	DESCRIPTION	BY
REVISIONS			
CUSTOMER:			
PROJECT:			


 PROTECTIVE DOOR INDUSTRIES
 HARVEY, ILLINOIS 60426

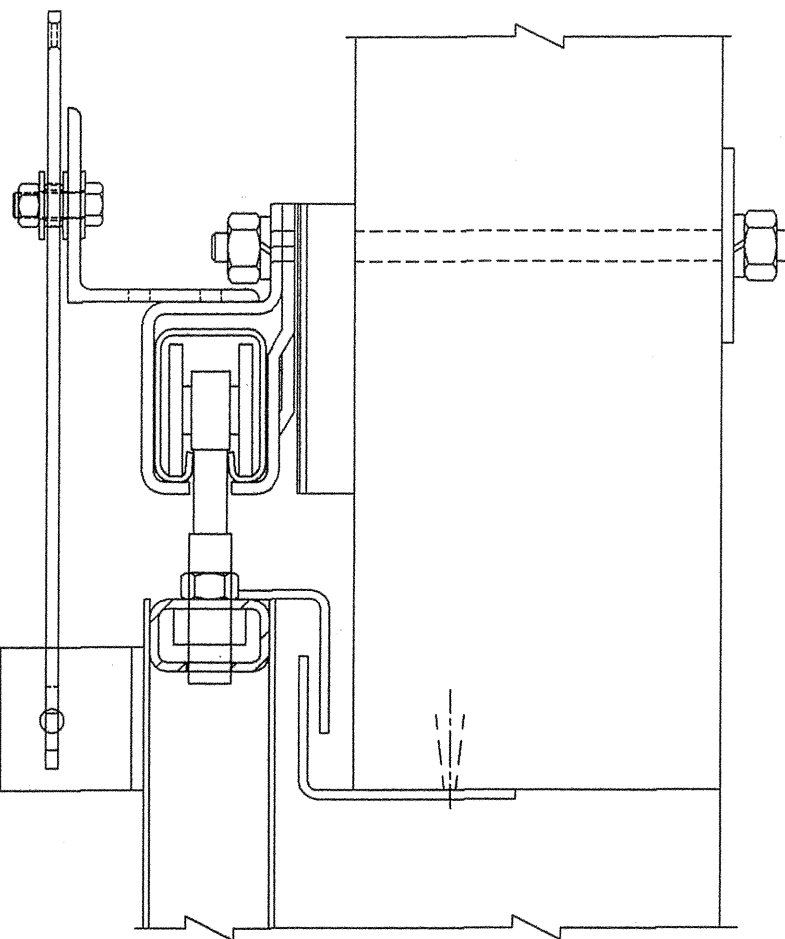
TITLE DB-100 PRESSURE RESISTANT SINGLE SLIDING DOOR			
DWG BY	MF	CHKD BY	
DATE	5/22/07	DATE	
SCALE		QA	
DWG NO.	1678-07	SHT NO.	3

NOTICE
THIS IS A CONFIDENTIAL DISCLOSURE LOANED BY PROTECTIVE DOOR IND. SUBJECT TO THE CONDITIONS THAT IT AND THE INFORMATION EMBODIED THEREIN SHALL BE USED ONLY FOR RECORD AND REFERENCE PURPOSES, SHALL NOT BE USED OR CAUSED TO BE USED IN ANYWAY PREJUDICIAL TO THE INTEREST OF THIS COMPANY, SHALL NOT BE REPRODUCED OR COPIED IN WHOLE OR IN PART, AND SHALL BE RETURNED UPON REQUEST.

GENERAL CONDITIONS
P.D.I. WILL NOT BE LIABLE FOR ANY ERRORS OCCURRING TO OTHER TRADES THROUGH THE USE OF THIS DRAWING. CONTRACTOR TO CHECK ALL DIMENSIONS AT JOB AS P.D.I. ASSUMES NO RESPONSIBILITY FOR GENERAL BUILDING DIMENSIONS.

PLOT SCALE 1-4
1678-3

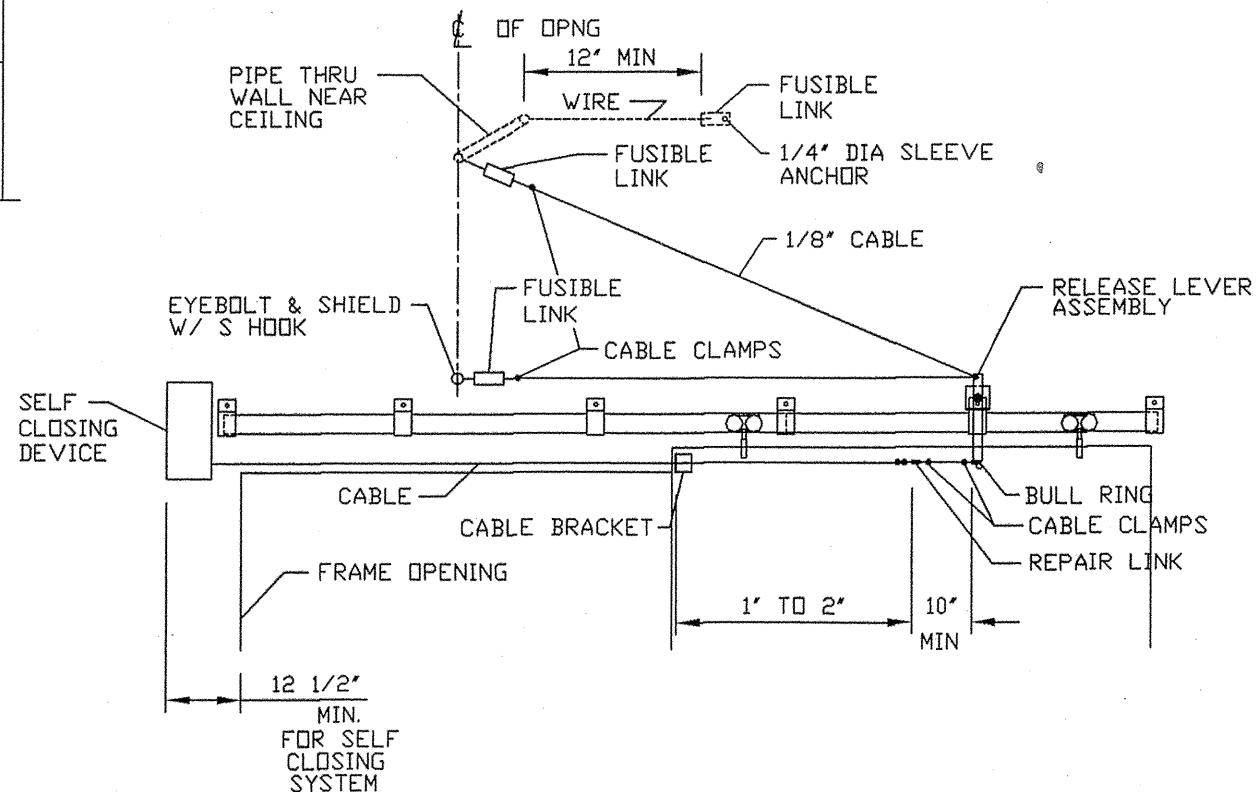
MASTER



HEAD SECTION

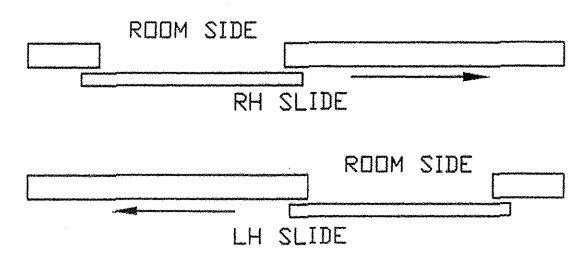
SELF CLOSING DEVICE INSTALLATION INSTRUCTIONS

1. INSTALL SELF CLOSING DEVICE AFTER ALL OTHER HARDWARE HAS BEEN INSTALLED AND THE DOOR HAS BEEN ADJUSTED.
2. LOCATE CABLE BRACKET ON DOOR AND SLIDE FULLY OPEN.
3. INSTALL RELEASE LEVER ASSEMBLY TO THE NEXT BRACKET PAST THE CABLE BRACKET. (OR IF THIS BRACKET IS TO CLOSE, USE THE NEXT TRACK BRACKET FURTHER DOWN THE TRACK), BY BOLTING OR WELDING IN PLACE.
4. ATTACH ONE END OF 1/8" x 48" CABLE TO THE BULLRING, ATTACH THE OTHER END TO THE REPAIR LINK. MAKE THIS CABLE LONG ENOUGH SO THE REPAIR LINK IS 1' TO 2" AWAY FROM CABLE BRACKET ON DOOR. CUT OFF EXCESS CABLE.
5. RUN OTHER PIECE OF 1/8" CABLE THRU RELEASE LEVER AS SHOWN IN THE ELEVATION AND HOOK TO FUSE LINKS AND THRU WALL FUSE LINK AS SHOWN.
6. ATTACH CABLE FROM THE SELF CLOSING DEVICE TO THE OTHER END OF THE REPAIR LINK, RUN CABLE THRU THE HOLE IN THE CABLE BRACKET.
7. AFTER INSTALLATION IS COMPLETE, UNHOOK BULLRING FROM RELEASE LEVER AND MAKE SURE SELF CLOSING DEVICE PULLS DOOR LEVER.



ELEVATION
SELF CLOSING DEVICE INSTALLATION

HANDS OF DOORS



NOTES:

DATE	MK	DESCRIPTION	BY

REVISIONS

CUSTOMER: _____

PROJECT: _____



PROTECTIVE DOOR INDUSTRIES
HARVEY, ILLINOIS 60426

TITLE
SELF CLOSING DEVICE DETAILS

DWG BY	MF	CHKD BY	
DATE	5/22/07	DATE	
SCALE		QA	
DWG NO.	1678-07	SHT NO.	4

NOTICE
THIS IS A CONFIDENTIAL DISCLOSURE LOANED BY PROTECTIVE DOOR IND. SUBJECT TO THE CONDITIONS THAT IT AND THE INFORMATION EMBODIED THEREIN SHALL BE USED ONLY FOR RECORD AND REFERENCE PURPOSES, SHALL NOT BE USED OR CAUSED TO BE USED IN ANYWAY PREJUDICIAL TO THE INTEREST OF THIS COMPANY, SHALL NOT BE REPRODUCED OR COPIED IN WHOLE OR IN PART, AND SHALL BE RETURNED UPON REQUEST.

GENERAL CONDITIONS
P.D.I. WILL NOT BE LIABLE FOR ANY ERRORS OCCURRING TO OTHER TRADES THROUGH THE USE OF THIS DRAWING.
CONTRACTOR TO CHECK ALL DIMENSIONS AT JOB AS P.D.I. ASSUMES NO RESPONSIBILITY FOR GENERAL BUILDING DIMENSIONS.

PLOT SCALE 1-4
1678-4

MASTER