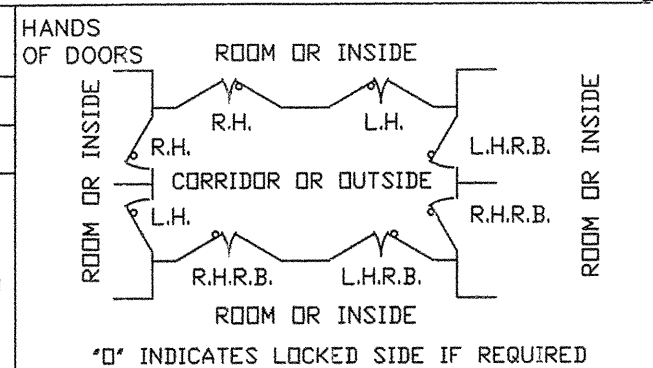
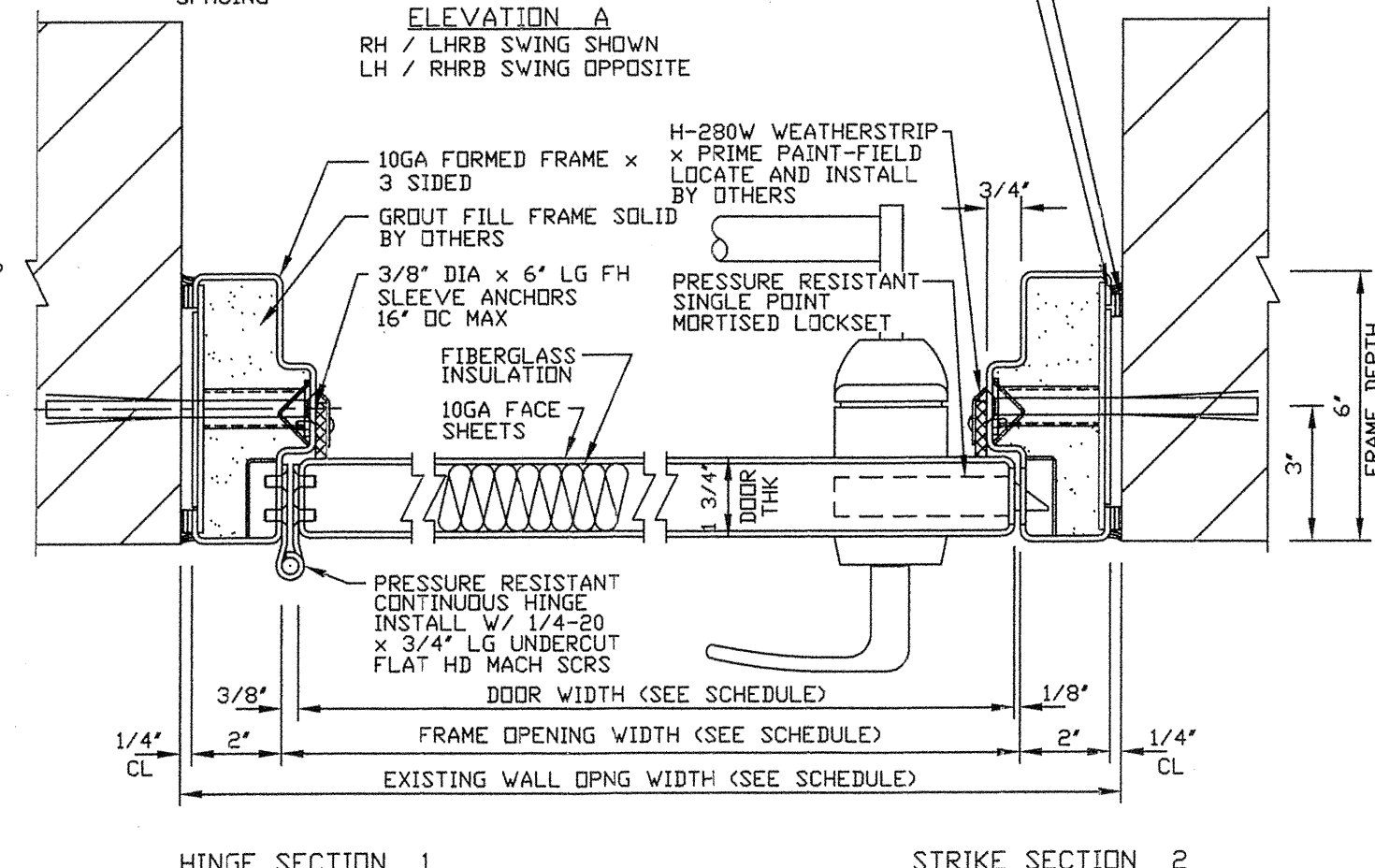
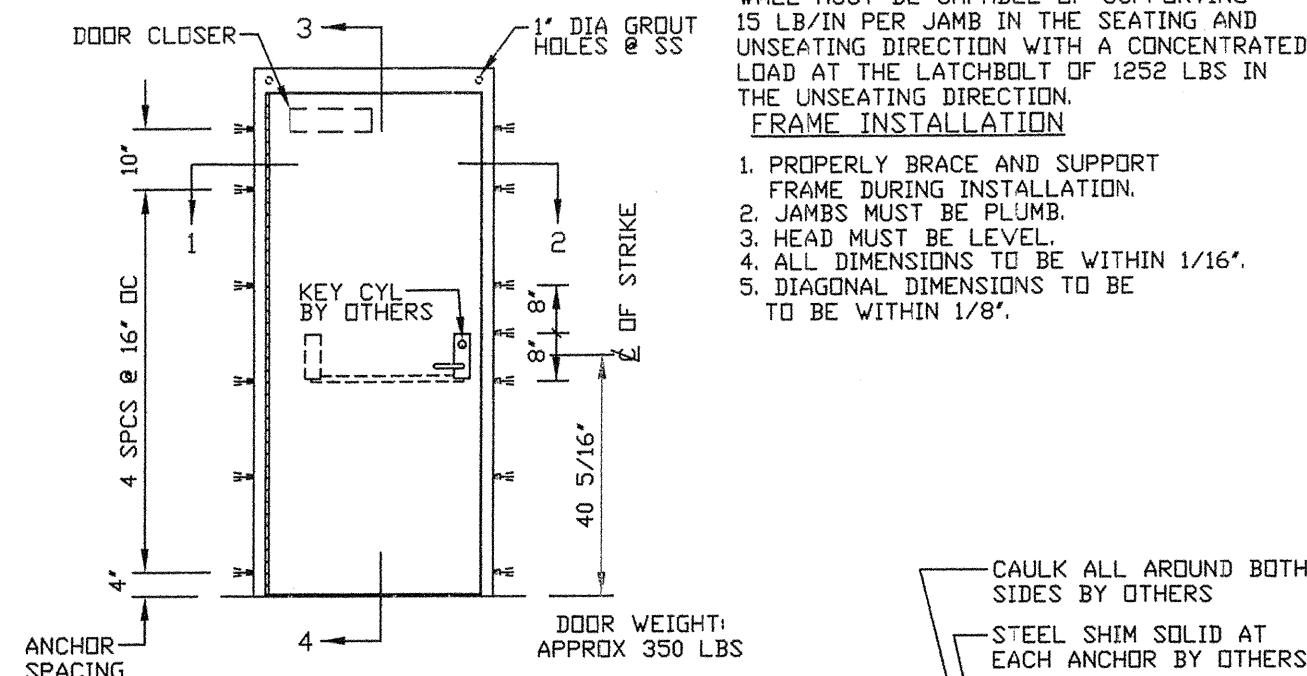
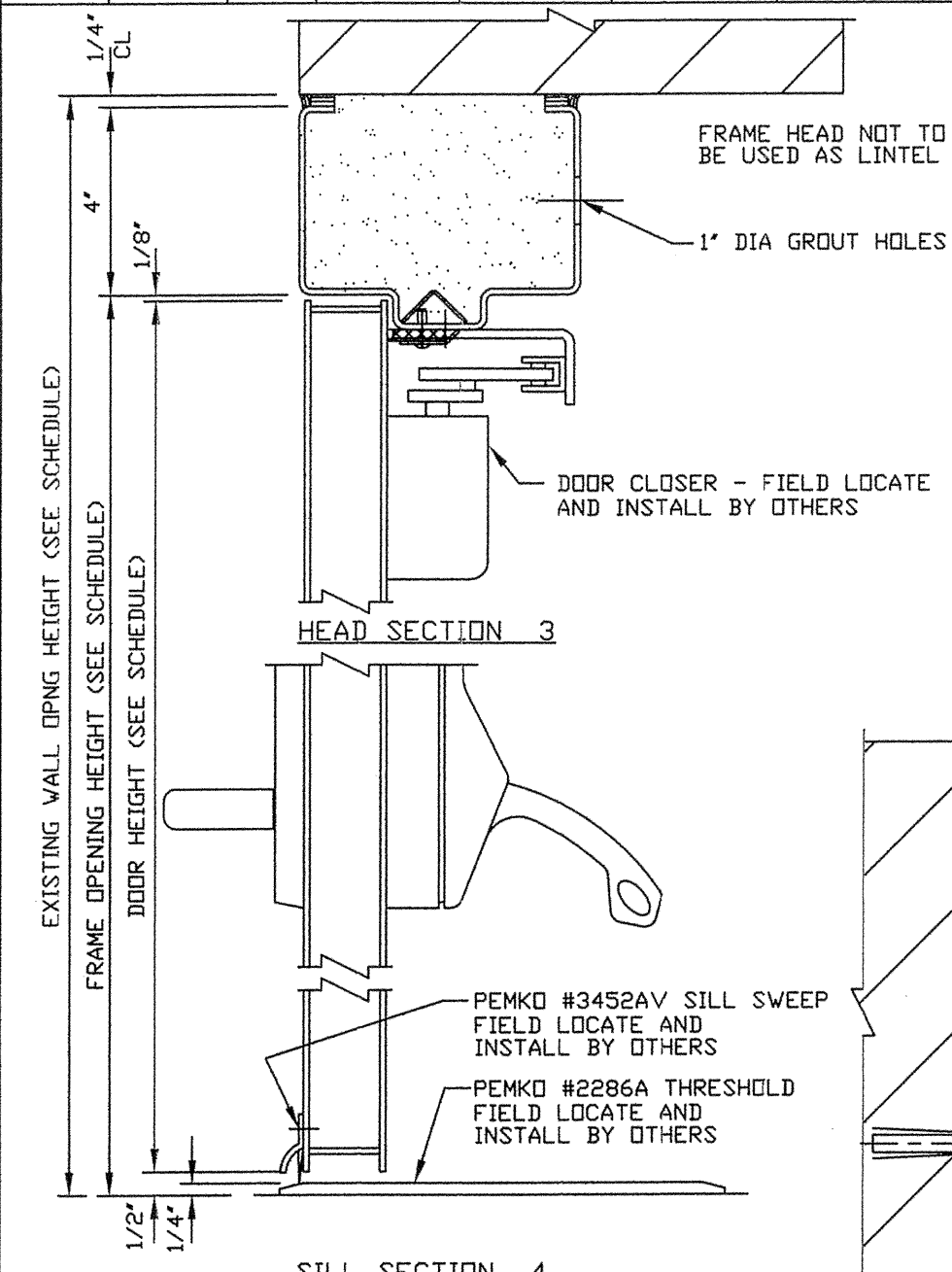


QUAN.	MARK NO	HAND	LOCATION		EXISTING WALL OPNG		FRAME OPNG		DOOR SIZE		DOOR ELEV	SECTIONS				REMARKS	
			HINGE SIDE	STOP SIDE	WIDTH	HEIGHT	WIDTH	HEIGHT	WIDTH	HEIGHT		HINGE	STRIKE	HEAD	SILL		
1	SGL	101B	LHRB	EXTERIOR	DISP AREA	40 1/2"	88 1/4"	36"	84"	35 1/2"	83 3/8"	A	1	2	3	4	



**IMPORTANT NOTE:**  
WALL MUST BE CAPABLE OF SUPPORTING 15 LB/IN PER JAMB IN THE SEATING AND UNSEATING DIRECTION WITH A CONCENTRATED LOAD AT THE LATCHBOLT OF 1252 LBS IN THE UNSEATING DIRECTION.  
**FRAME INSTALLATION**  
1. PROPERLY BRACE AND SUPPORT FRAME DURING INSTALLATION.  
2. JAMBS MUST BE PLUMB.  
3. HEAD MUST BE LEVEL.  
4. ALL DIMENSIONS TO BE WITHIN 1/16".  
5. DIAGONAL DIMENSIONS TO BE TO BE WITHIN 1/8".

- NOTES:**
- 100 PSF STATIC EQUIVALENT PRESSURE W/ 100% REBOUND
  - UL 3 HR (A) FIRE LABEL
  - FINISH: STD GREY PRIMER
  - HARDWARE BY PDI:
    - (1) CONTINUOUS HINGE-10GA LEAVES x 1/4" DIA STAIN STL PIN x USP FINISH
    - (1) CORBIN #ED-6600A MORTISED EXIT DEVICE x C3M55 TRIM x US26D FINISH (LESS CYL) FUNCTION 08
- (MODIFIED TO RESIST PRESSURE - SS LATCHBOLT)
- YALE #4400 DOOR CLOSER x PA ARM x ALUM FINISH
  - SET H-280W WEATHERSTRIP x USP FIN
  - PEMKO #2286A THRESHOLD
  - PEMKO #3452AV SILL SWEEP
5. HARDWARE BY OTHERS:  
ALL OTHER HARDWARE NOT LISTED ABOVE  
(1) MORTISED KEY CYLINDER x 1 3/4" LG x CAM FOR CORBIN EXIT DEVICE



**NOTICE**  
THIS IS A CONFIDENTIAL DISCLOSURE LOANED BY PROTECTIVE DOOR IND. SUBJECT TO THE CONDITIONS THAT IT AND THE INFORMATION EMBODIED THEREIN SHALL BE USED ONLY FOR RECORD AND REFERENCE PURPOSES, SHALL NOT BE USED OR CAUSED TO BE USED IN ANYWAY PREJUDICIAL TO THE INTEREST OF THIS COMPANY, SHALL NOT BE REPRODUCED OR COPIED IN WHOLE OR IN PART, AND SHALL BE RETURNED UPON REQUEST.

**GENERAL CONDITIONS**  
P.D.I. WILL NOT BE LIABLE FOR ANY ERRORS OCCURRING TO OTHER TRADES THROUGH THE USE OF THIS DRAWING.  
CONTRACTOR TO CHECK ALL DIMENSIONS AT JOB AS P.D.I. ASSUMES NO RESPONSIBILITY FOR GENERAL BUILDING DIMENSIONS.

DATE	MK	DESCRIPTION	BY
REVISIONS			
CUSTOMER:			
PROJECT:			
PROTECTIVE DOOR INDUSTRIES HARVEY, ILLINOIS 60426			
TITLE		DB-100 FLUSH BLAST RESISTANT DOOR AND FRAME	
DWG BY	MF	CHKD BY	
DATE	2/14/08	DATE	
SCALE		QA	
DWG NO.	1723-08	SHT NO.	1

PLOT SCALE 1=4  
1723-1