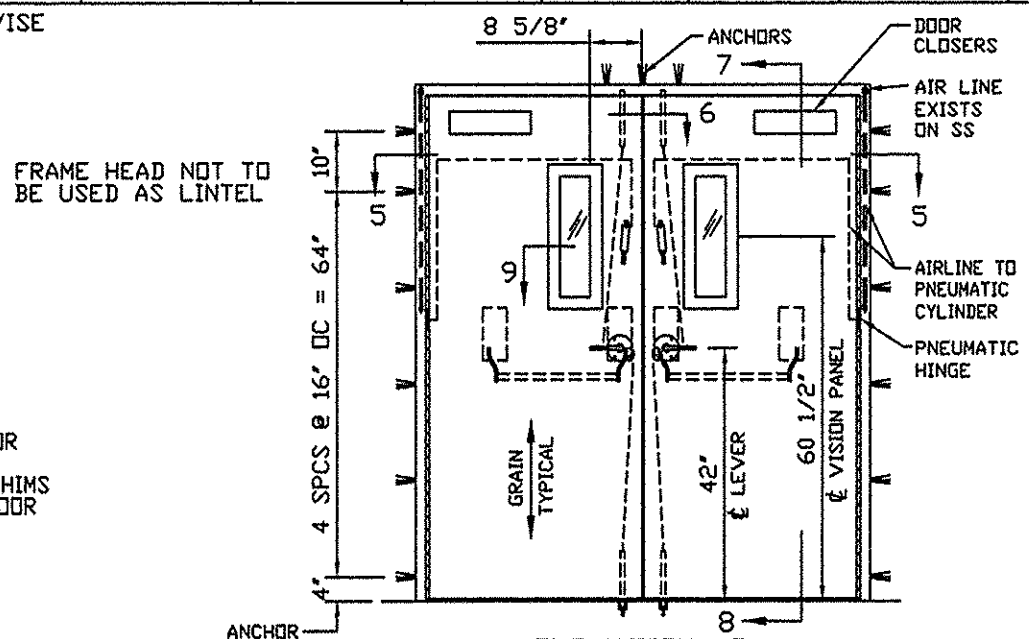
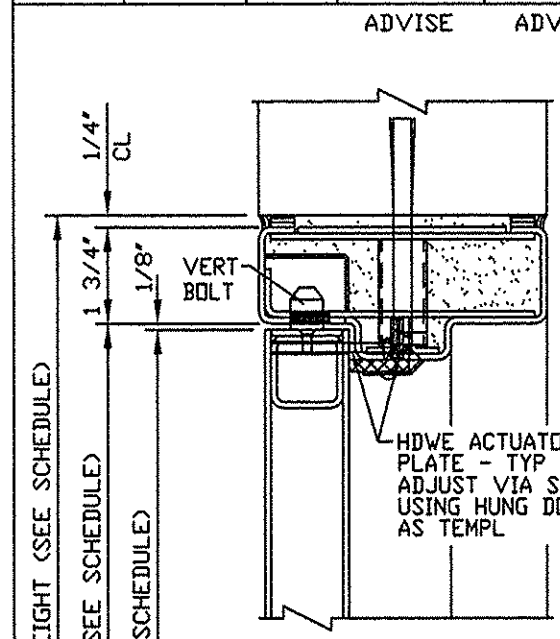
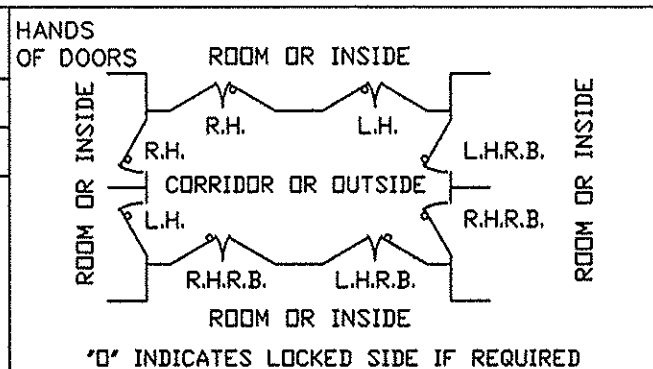


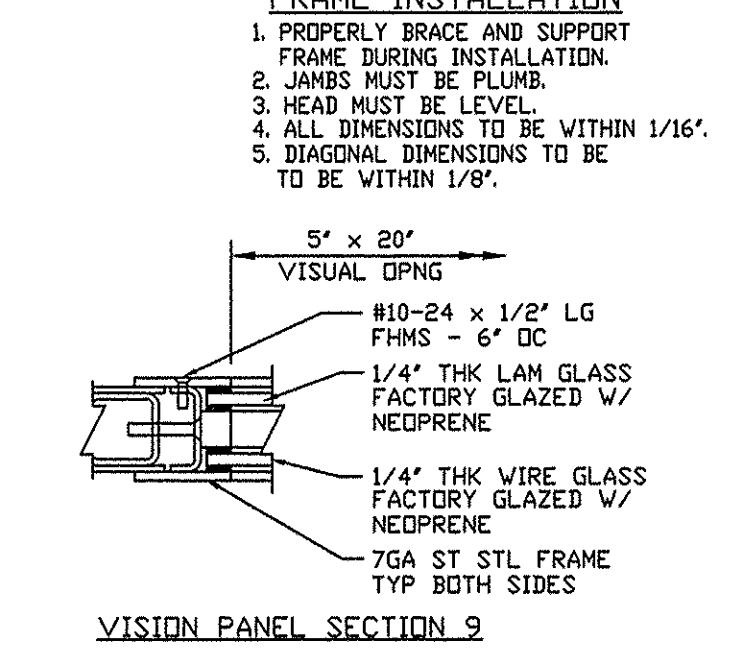
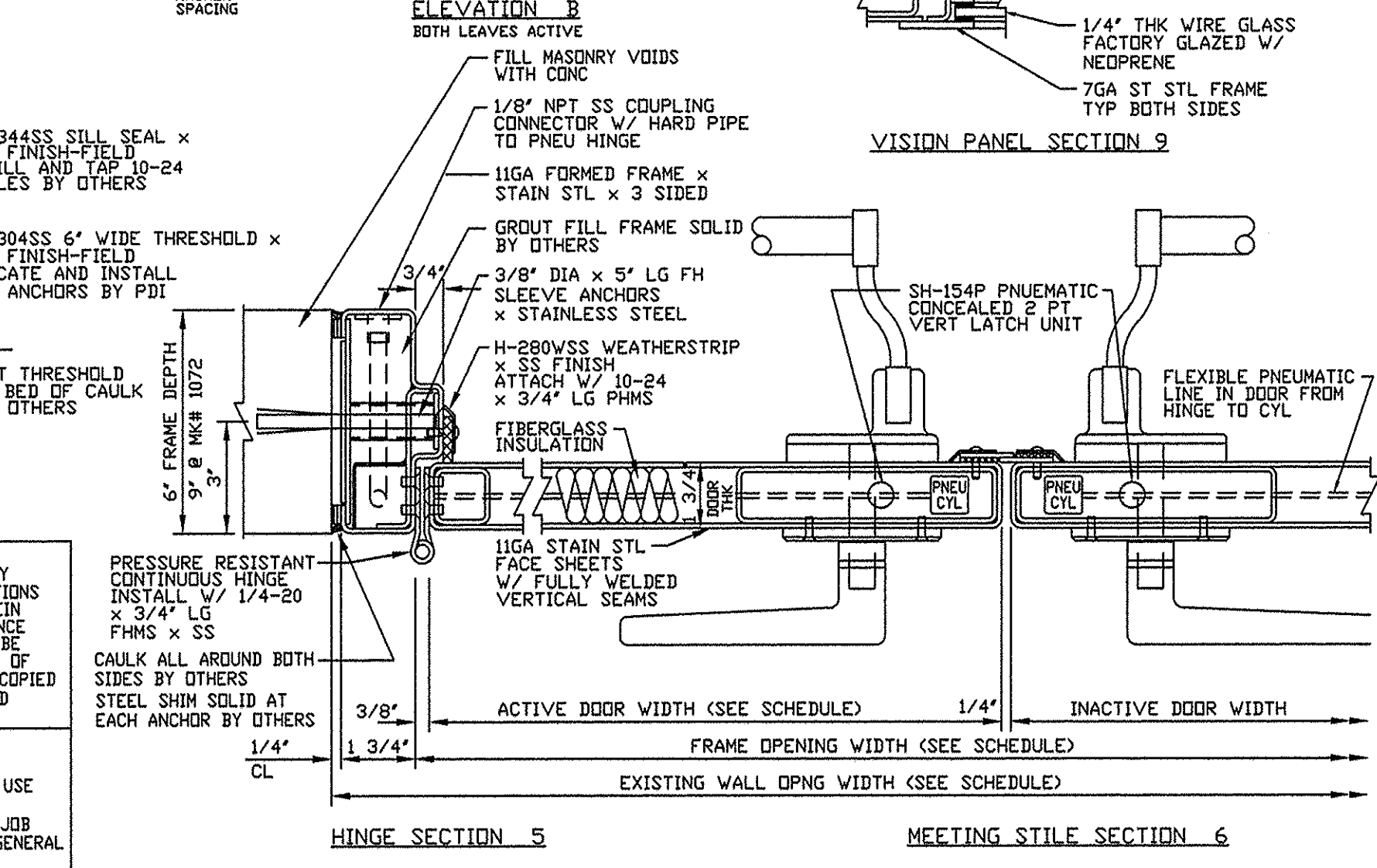
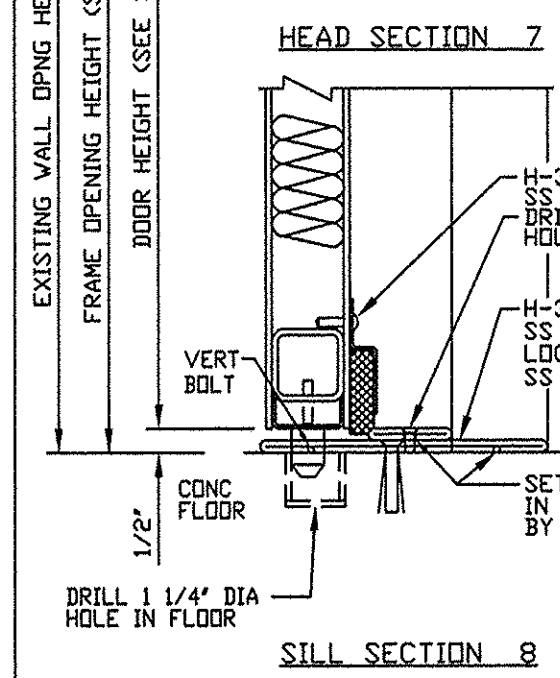
QUAN.	MARK NO	HAND	LOCATION		EXISTING WALL OPNG		FRAME OPNG		DOOR SIZE		DOOR ELEV	SECTIONS				REMARKS
			HINGE SIDE	STOP SIDE	WIDTH	HEIGHT	WIDTH	HEIGHT	WIDTH	HEIGHT		HINGE	STRIKE	HEAD	SILL	
1	406	BOTH ACTIVE			76"	86"	72"	84"	35 1/2"	83 3/8"	B	5	6	7	8	FRAME DEPTH 6"
1	1072	BOTH ACTIVE			76"	86"	72"	84"	35 1/2"	83 3/8"	B	5	6	7	8	FRAME DEPTH 9"



IMPORTANT NOTE:
WALL MUST BE CAPABLE OF SUPPORTING 16 LB/IN PER JAMB AND 630 LBS AT THE VERT BOLTS IN THE SEATING AND UNSEATING DIRECTION

FRAME INSTALLATION

- PROPERLY BRACE AND SUPPORT FRAME DURING INSTALLATION.
- JAMBS MUST BE PLUMB.
- HEAD MUST BE LEVEL.
- ALL DIMENSIONS TO BE WITHIN 1/16".
- DIAGONAL DIMENSIONS TO BE WITHIN 1/8".



NOTICE
THIS IS A CONFIDENTIAL DISCLOSURE LOANED BY PROTECTIVE DOOR IND. SUBJECT TO THE CONDITIONS THAT IT AND THE INFORMATION EMBODIED THEREIN SHALL BE USED ONLY FOR RECORD AND REFERENCE PURPOSES, SHALL NOT BE USED OR CAUSED TO BE USED IN ANYWAY PREJUDICIAL TO THE INTEREST OF THIS COMPANY, SHALL NOT BE REPRODUCED OR COPIED IN WHOLE OR IN PART, AND SHALL BE RETURNED UPON REQUEST.

GENERAL CONDITIONS
P.D.I. WILL NOT BE LIABLE FOR ANY ERRORS OCCURRING TO OTHER TRADES THROUGH THE USE OF THIS DRAWING. CONTRACTOR TO CHECK ALL DIMENSIONS AT JOB AS P.D.I. ASSUMES NO RESPONSIBILITY FOR GENERAL BUILDING DIMENSIONS.

- NOTES:**
- DESIGN PRESSURE: 120 PSF STATIC EQUIVALENT PRESSURE W/ 100% REBOUND
 - FIRE RATING: NONE
 - CERTIFICATE OF NON-COMBUSTIBLE CONSTRUCTION
 - DOOR / FRAME FINISH: APPROX #4 BRUSHED STAINLESS STEEL
 - HARDWARE BY PDI:
 - (2) CONTINUOUS HINGES - 11GA SS LEAVES x 1/4" DIA STAIN STL PIN x BRUSHED FINISH
 - (2) SH-154P 2 PT VERTICAL HARDWARE LEVER x PANIC BAR x SS TRIM x US32D FINISH x PNEUMATIC MODIFICATION FUNCTION: PASSAGE
 - (2) YALE #4400 DOOR CLOSERS x REG ARM x ALUM FINISH
 - (2) ARCHITECTURAL DOOR CONTROLS #1120 PNEUMATIC HINGE x US32D FINISH
 - (1) PDI H-280WSS WEATHERSTRIP x SS FINISH
 - (2) PDI H-344SS SILL SWEEP x SS FINISH
 - (1) PDI H-304SS 6" WIDE THRESHOLD x SS FINISH
 - (2) PDI H-280WSS ASTRAGAL x SS FINISH
 - HARDWARE BY OTHERS:
 - (2) PNEUMATIC OPERATOR - SEE DWG 1816-3 ANY HARDWARE NOT LISTED ABOVE

DATE	MK	DESCRIPTION	BY
REVISIONS			

CUSTOMER: EJM TECHNICAL SERVICES
PMB 506 EMILIANO POL AVENUE #497
SAN JUAN, PR 00926
PD #09-2781

PROJECT: ABBOTT LABORATORIES
BARCELONETA, PR

PROTECTIVE DOOR INDUSTRIES
HARVEY, ILLINOIS 60426

TITLE		DB-100-SS BLAST RESISTANT DOORS AND FRAME	
DWG BY	MF	CHKD BY	
DATE	7/14/09	DATE	
SCALE		QA	
DWG NO.	1816-09	SHT NO.	2

PLOT SCALE 1=4
1816-2

MASTER