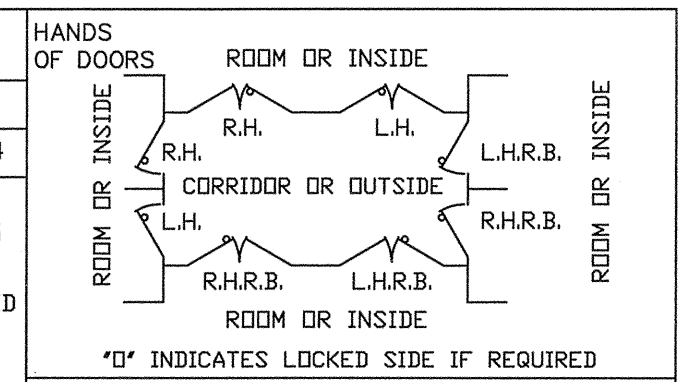


QUAN.	MARK NO	HAND	LOCATION		EXISTING WALL OPNG		FRAME OPNG		DOOR SIZE		DOOR ELEV	SECTIONS				REMARKS
			HINGE SIDE	STOP SIDE	WIDTH	HEIGHT	WIDTH	HEIGHT	WIDTH	HEIGHT		HINGE	STRIKE	HEAD	SILL	
1 PR	3	RHRB ACT	EXTERIOR	INTERIOR	124 1/2"	128 1/4"	120"	126"	59 3/4"	83 1/8"	B	5	6	7/9	8/10	119 3/4" x 41 7/8"
																TRANSOM - SEE DWG -4

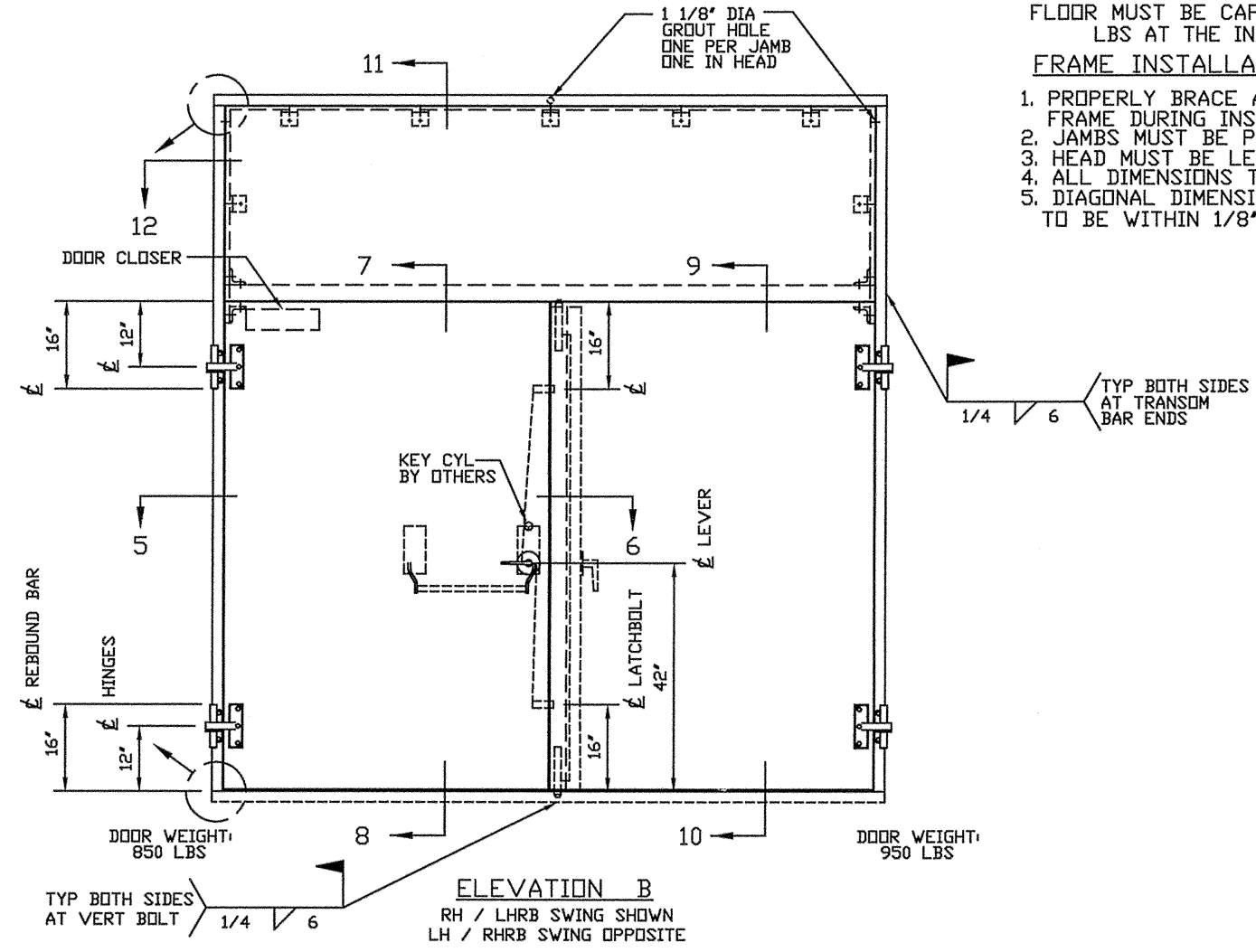
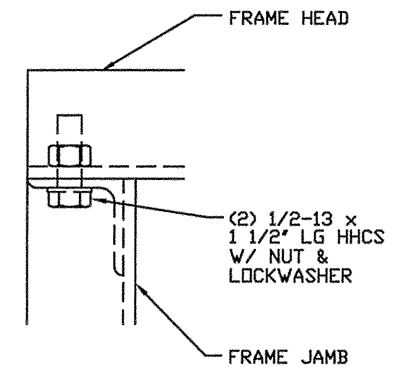


IMPORTANT NOTE:
WALL MUST BE CAPABLE OF SUPPORTING 86 LB/IN PER JAMB AND 11121 LBS AT THE TRANSOM BAR ENDS IN THE SEATING DIRECTION AND UNSEATING CONCENTRATED LOADS AS FOLLOWS:
AT TRANSOM BAR ENDS 5218 LBS
AT REBOUND BARS 3357 LBS
FLOOR MUST BE CAPABLE OF SUPPORTING LBS AT THE INACT DOOR VERT BOLT

FRAME INSTALLATION

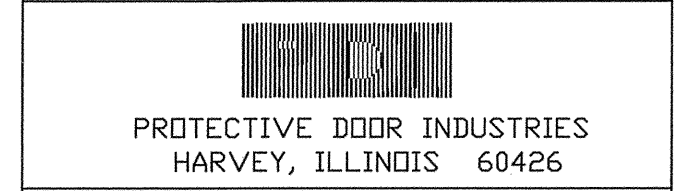
1. PROPERLY BRACE AND SUPPORT FRAME DURING INSTALLATION.
2. JAMBS MUST BE PLUMB.
3. HEAD MUST BE LEVEL.
4. ALL DIMENSIONS TO BE WITHIN 1/16".
5. DIAGONAL DIMENSIONS TO BE TO BE WITHIN 1/8".

- NOTES:**
1. DESIGN PRESSURE:
Pr = 3.3 PSI SEATING PRESSURE FOR 51 MS W/ REBOUND AS CALCULATED
 2. FIRE RATING: NONE
 3. FINISH: STD GREY PRIMER
 4. HARDWARE BY PDI:
(2) PR SH-461 6 WAY ADJUST HINGES x USP FINISH
(1) SH-153PC 2 PT HORIZONTAL HARDWARE LEVER x EXIT BAR TRIM x US32D FINISH x (LESS CYL) @ ACTIVE DOOR FUNCTION: SIM TO CLASSROOM
(1) SH-154RB 2 PT VERT MANUAL HARDWARE LEVER x NO EXT TRIM x US32D FINISH @ INACTIVE DOOR
(1) YALE #4400 DOOR CLOSER x PA x ALUM FIN
(1) PDI H-280W WEATHERSTRIP x USP FINISH
(1) PDI H-344 SILL SWEEP x USP FINISH
(1) PEMKO #2550A/196A THRESHOLD x ALUM
 5. HARDWARE BY OTHERS:
(1) MORTISED KEY CYLINDER - IF POSSIBLE SEND TO PDI FOR FACTORY INSTALLATION



DATE	MK	DESCRIPTION	BY
REVISIONS			

CUSTOMER:
PROJECT:



TITLE			
DB-X PAIR BLAST RESISTANT DOOR AND FRAME			
DWG BY	LF	CHKD BY	MF
DATE	11/19/09	DATE	11/19/09
SCALE		QA	
DWG NO.	1839-09	SHT NO.	2

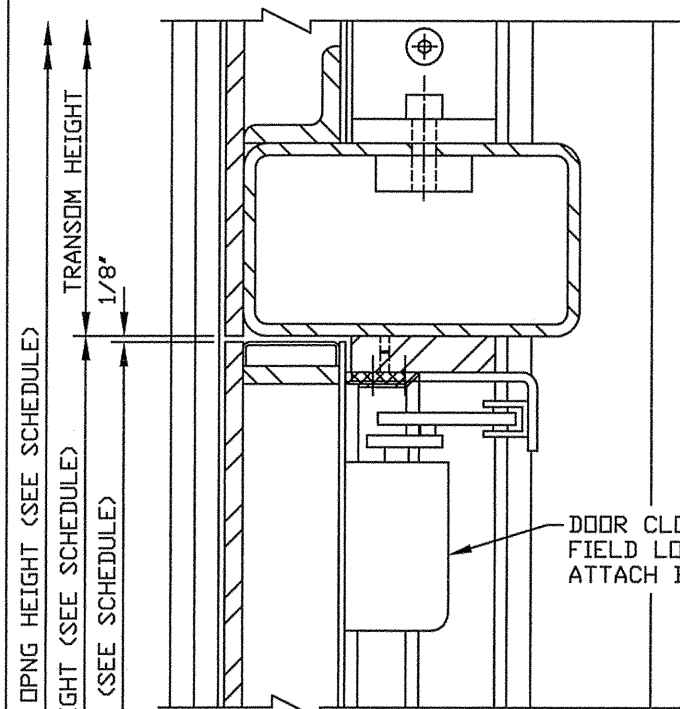
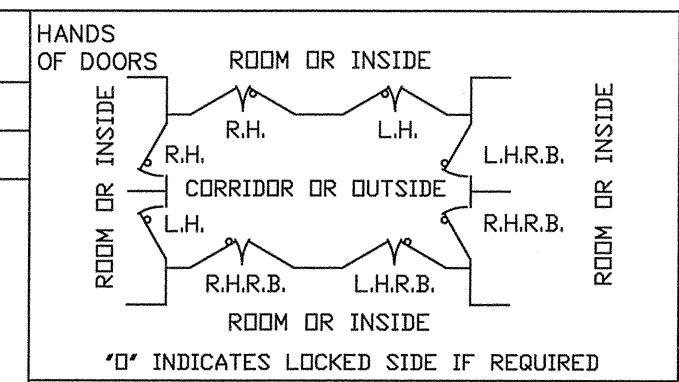
NOTICE
THIS IS A CONFIDENTIAL DISCLOSURE LOANED BY PROTECTIVE DOOR IND. SUBJECT TO THE CONDITIONS THAT IT AND THE INFORMATION EMBODIED THEREIN SHALL BE USED ONLY FOR RECORD AND REFERENCE PURPOSES, SHALL NOT BE USED OR CAUSED TO BE USED IN ANYWAY PREJUDICIAL TO THE INTEREST OF THIS COMPANY, SHALL NOT BE REPRODUCED OR COPIED IN WHOLE OR IN PART, AND SHALL BE RETURNED UPON REQUEST.

GENERAL CONDITIONS
P.D.I. WILL NOT BE LIABLE FOR ANY ERRORS OCCURRING TO OTHER TRADES THROUGH THE USE OF THIS DRAWING.
CONTRACTOR TO CHECK ALL DIMENSIONS AT JOB AS P.D.I. ASSUMES NO RESPONSIBILITY FOR GENERAL BUILDING DIMENSIONS.

PLOT SCALE 1=4
1839-2

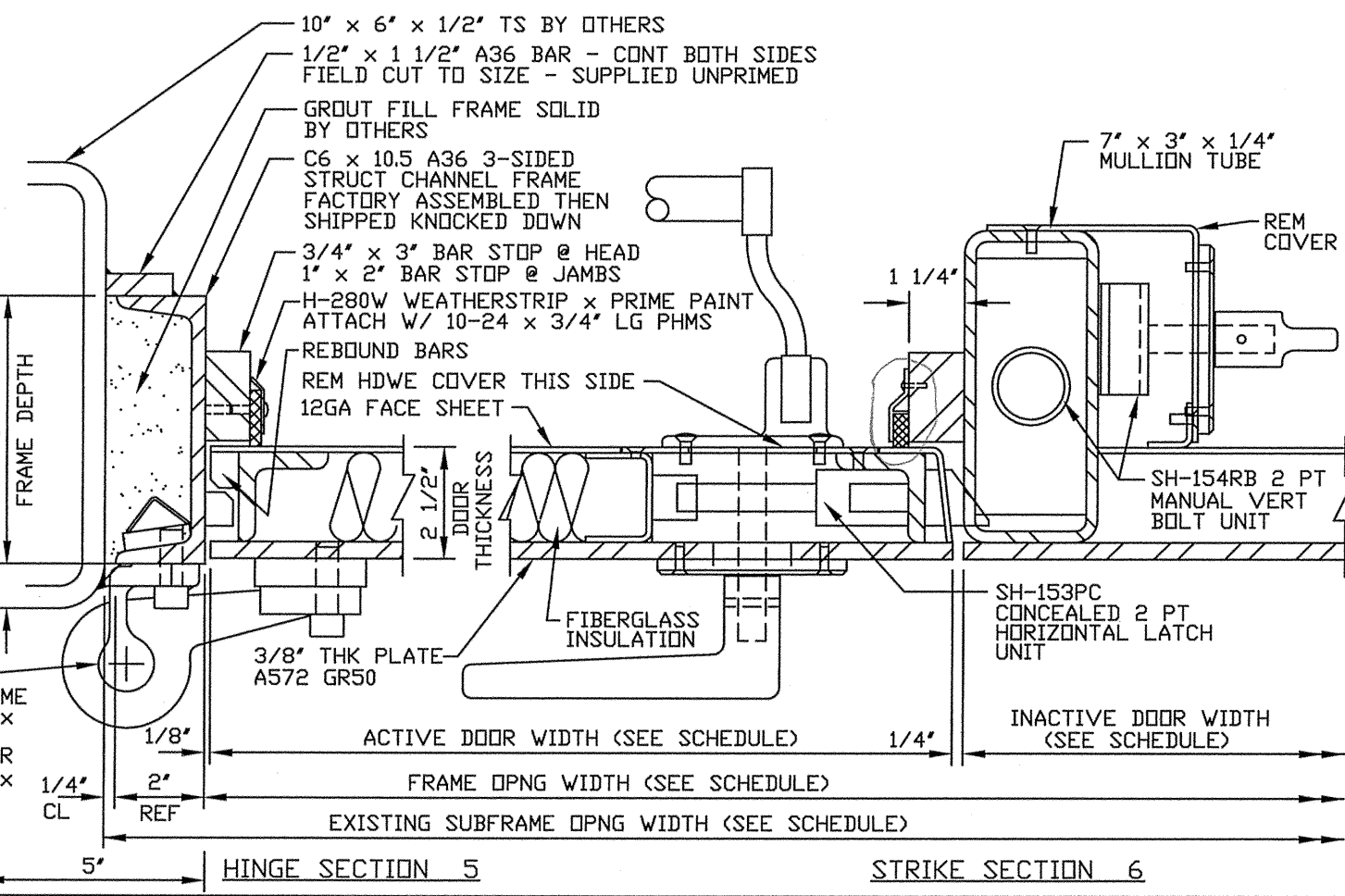
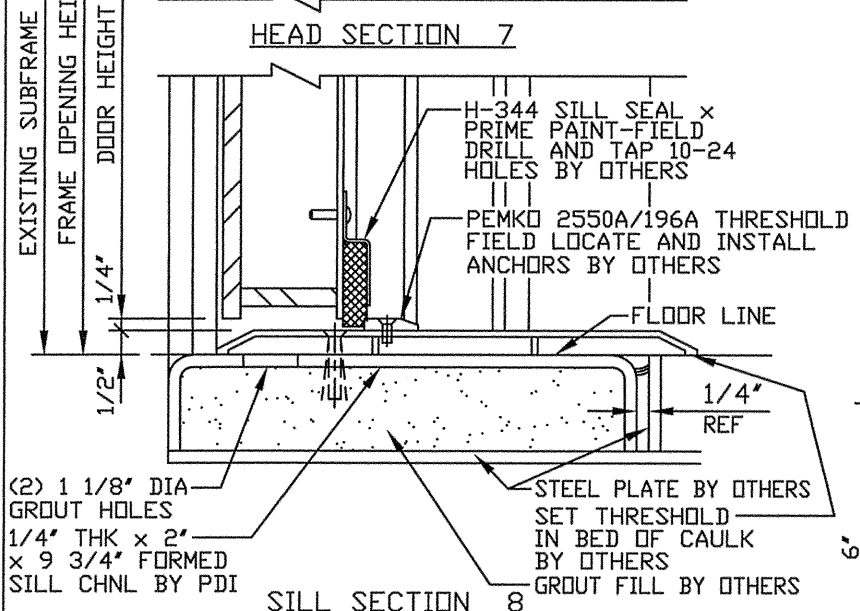
MASTER

QUAN.	MARK NO	HAND	LOCATION		EXISTING WALL OPNG		FRAME OPNG		DOOR SIZE		DOOR ELEV	SECTIONS				REMARKS
			HINGE SIDE	STOP SIDE	WIDTH	HEIGHT	WIDTH	HEIGHT	WIDTH	HEIGHT		HINGE	STRIKE	HEAD	SILL	
										SEE DWG 1839-2						



SEE DWG 1839-4 FOR TRANSOM DETAILS

- 1/4" 6 TYP BOTH SIDES AT TRANSOM BAR
- 3/16" 2 TYP BOTH SIDES AT REBOUND BARS
- 3/16" 1 1/2"-8 TYP INTERIOR AND EXTERIOR CAULK CONT AFTER WELDING



NOTICE
THIS IS A CONFIDENTIAL DISCLOSURE LOANED BY PROTECTIVE DOOR IND. SUBJECT TO THE CONDITIONS THAT IT AND THE INFORMATION EMBODIED THEREIN SHALL BE USED ONLY FOR RECORD AND REFERENCE PURPOSES, SHALL NOT BE USED OR CAUSED TO BE USED IN ANYWAY PREJUDICIAL TO THE INTEREST OF THIS COMPANY, SHALL NOT BE REPRODUCED OR COPIED IN WHOLE OR IN PART, AND SHALL BE RETURNED UPON REQUEST.

GENERAL CONDITIONS
P.D.I. WILL NOT BE LIABLE FOR ANY ERRORS OCCURRING TO OTHER TRADES THROUGH THE USE OF THIS DRAWING. CONTRACTOR TO CHECK ALL DIMENSIONS AT JOB AS P.D.I. ASSUMES NO RESPONSIBILITY FOR GENERAL BUILDING DIMENSIONS.

NOTES: SEE DWG 1839-2

DATE	MK	DESCRIPTION	BY
REVISIONS			

CUSTOMER:
PROJECT:

PROTECTIVE DOOR INDUSTRIES
HARVEY, ILLINOIS 60426

TITLE			
DB-X PAIR BLAST RESISTANT DOOR AND FRAME			
DWG BY	LF	CHKD BY	MF
DATE	11/19/09	DATE	11/19/09
SCALE	QA		
DWG NO.	1839-09	SHT NO.	3

PLOT SCALE 1=4
1839-3

MASTER

