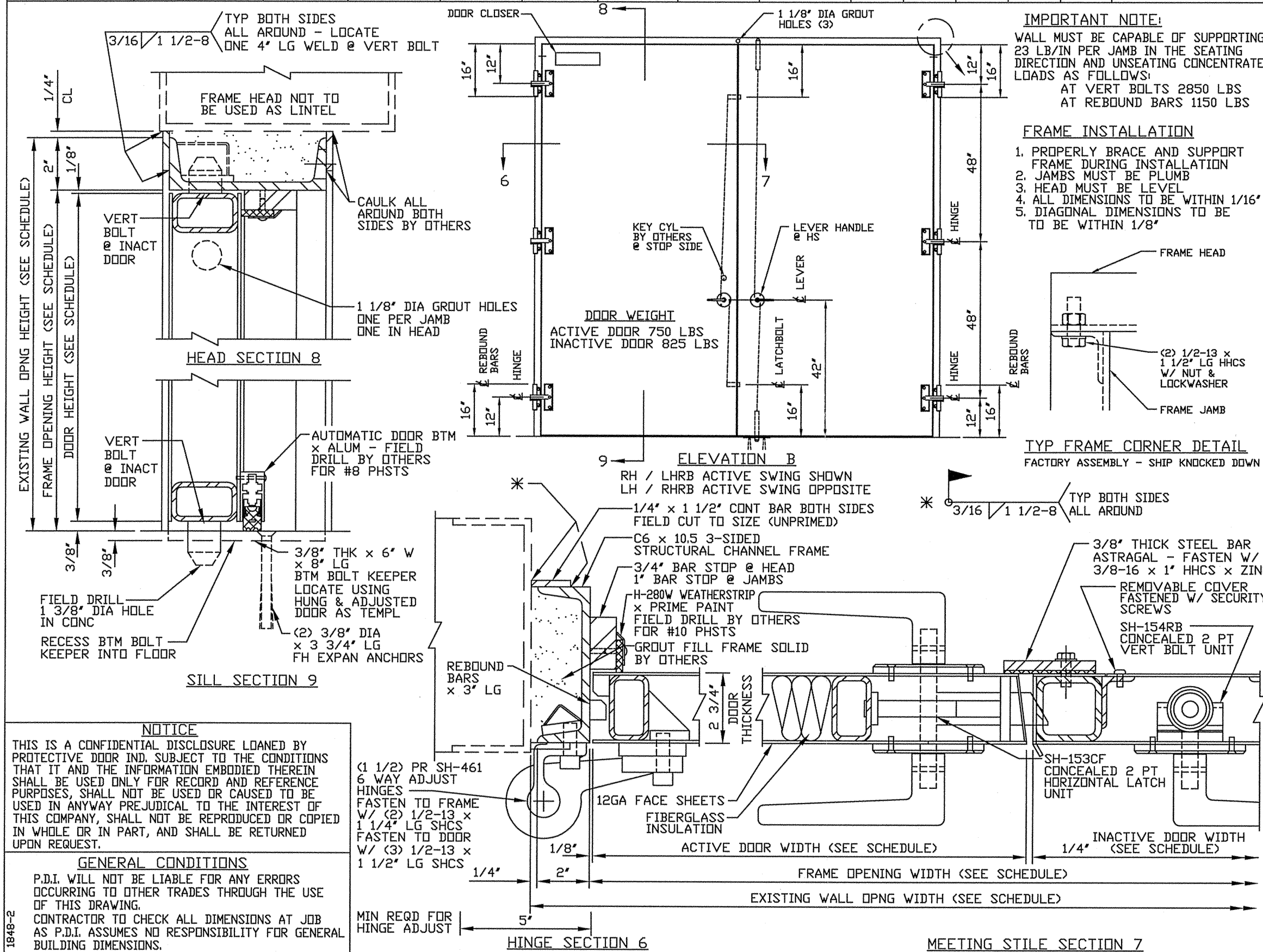
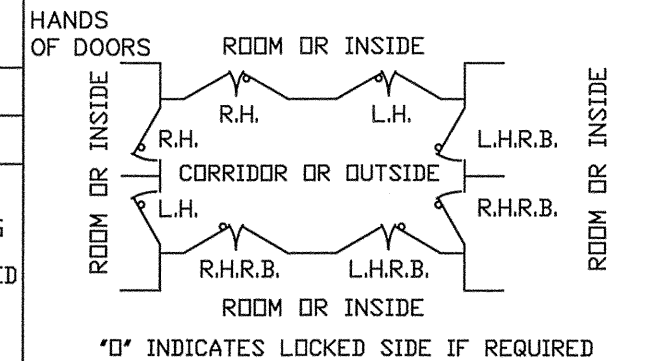


QUAN.	MARK NO	HAND	LOCATION		EXISTING WALL OPNG		FRAME OPNG		DOOR SIZE		DOOR ELEV	SECTIONS				REMARKS
			HINGE SIDE	STOP SIDE	WIDTH	HEIGHT	WIDTH	HEIGHT	WIDTH	HEIGHT		HINGE	STRIKE	HEAD	SILL	
1 PR	105C	LH ACT	SPRAY DRYER 105	WAREHOUSE 111	124 1/2"	122 1/4"	120"	120"	59 3/4"	119 1/2"	B	6	7	8	9	



IMPORTANT NOTE:
WALL MUST BE CAPABLE OF SUPPORTING 23 LB/IN PER JAMB IN THE SEATING DIRECTION AND UNSEATING CONCENTRATED LOADS AS FOLLOWS:
AT VERT BOLTS 2850 LBS
AT REBOUND BARS 1150 LBS

FRAME INSTALLATION

1. PROPERLY BRACE AND SUPPORT FRAME DURING INSTALLATION
2. JAMBS MUST BE PLUMB
3. HEAD MUST BE LEVEL
4. ALL DIMENSIONS TO BE WITHIN 1/16"
5. DIAGONAL DIMENSIONS TO BE TO BE WITHIN 1/8"


- NOTES:**
1. DESIGN PRESSURE: 100 PSF STATIC EQUIVALENT PRESSURE W/ 100% REBOUND
 2. FINISH: ZRC GREY PRIMER
 3. FIRE RATING: UL 3 HR (A) FIRE LABEL CONSTRUCTION - DOOR WILL NOT BEAR ACTUAL LABEL DUE TO OVERSIZE CONSTRUCTION
 4. HARDWARE BY PDI:
 - (3) PR SH-461 6 WAY ADJUST HINGES x USP FINISH
 - (1) SH-153CF 2 PT HORIZONTAL HARDWARE LEVER x LEVER TRIM x US32D FINISH (LESS CYL) @ ACTIVE DOOR FUNCTION: SIM TO CLASSROOM
 - (1) SH-154RB 2 PT MANUAL VERT HARDWARE LEVER x NO EXT TRIM x US32D FINISH @ INACTIVE DOOR
 - (1) YALE #4400 DOOR CLOSER x REG ARM x ALUM FIN @ ACTIVE DOOR
 - (1) PDI H-280W WEATHERSTRIP x USP FINISH
 - (2) AUTOMATIC DOOR BTM x ALUM FINISH
 5. HARDWARE BY OTHERS:
 - (1) RIM KEY CYLINDER SHIP TO PDI FOR FACTORY INSTALLATION
 - (1) ANY HARDWARE NOT LISTED ABOVE

NOTICE

THIS IS A CONFIDENTIAL DISCLOSURE LOANED BY PROTECTIVE DOOR IND. SUBJECT TO THE CONDITIONS THAT IT AND THE INFORMATION EMBODIED THEREIN SHALL BE USED ONLY FOR RECORD AND REFERENCE PURPOSES, SHALL NOT BE USED OR CAUSED TO BE USED IN ANYWAY PREJUDICIAL TO THE INTEREST OF THIS COMPANY, SHALL NOT BE REPRODUCED OR COPIED IN WHOLE OR IN PART, AND SHALL BE RETURNED UPON REQUEST.

GENERAL CONDITIONS

P.D.I. WILL NOT BE LIABLE FOR ANY ERRORS OCCURRING TO OTHER TRADES THROUGH THE USE OF THIS DRAWING.
CONTRACTOR TO CHECK ALL DIMENSIONS AT JOB AS P.D.I. ASSUMES NO RESPONSIBILITY FOR GENERAL BUILDING DIMENSIONS.

DATE	MK	DESCRIPTION	BY
REVISIONS			
CUSTOMER:			
PROJECT:			
 PROTECTIVE DOOR INDUSTRIES HARVEY, ILLINOIS 60426			
TITLE DB-200 PAIR BLAST RESISTANT DOOR AND FRAME			
DWG BY	LF	CHKD BY	
DATE	2/5/10	DATE	
SCALE		QA	
DWG NO.	1848-10	SHT NO.	2

MASTER