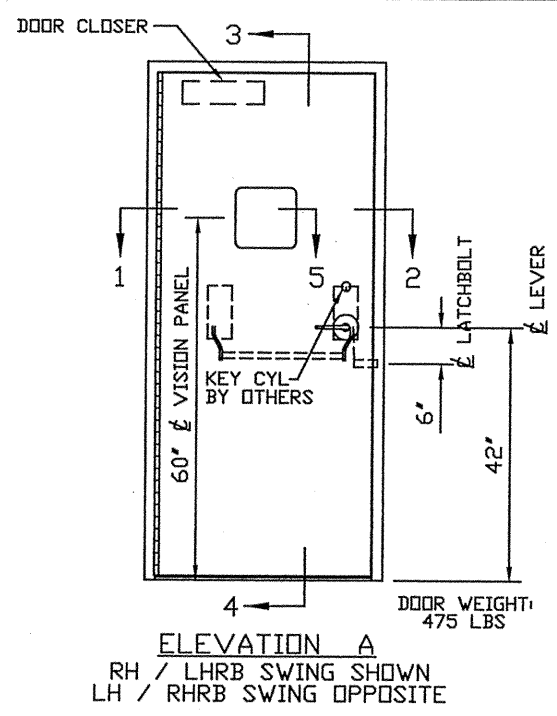
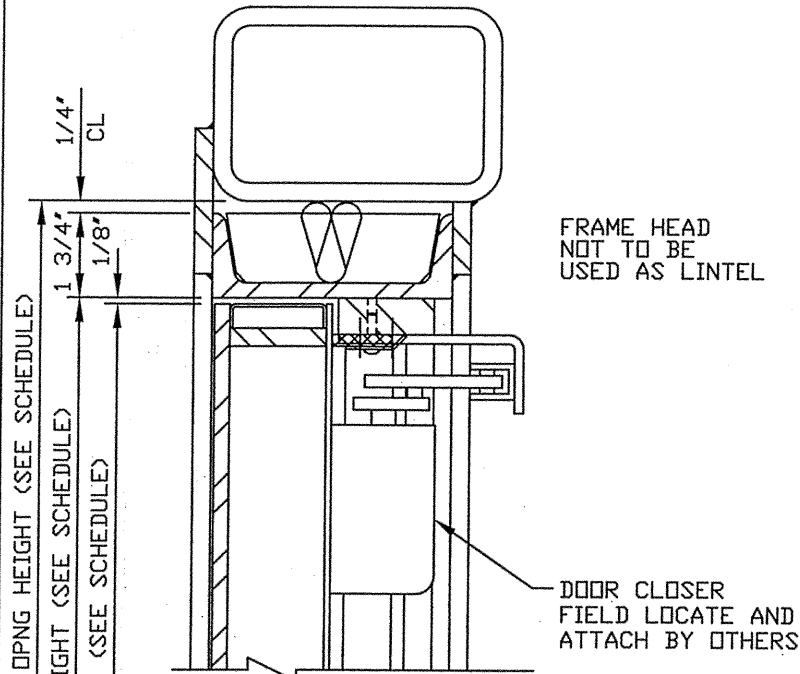
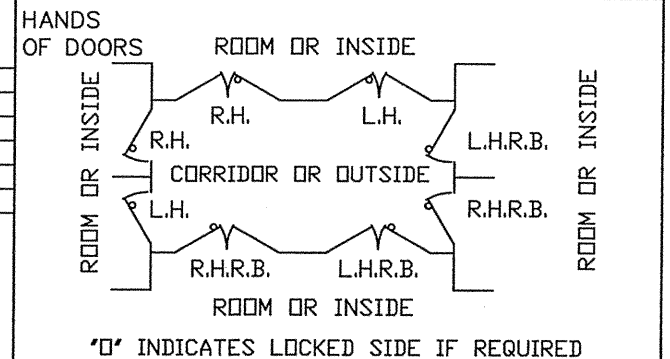
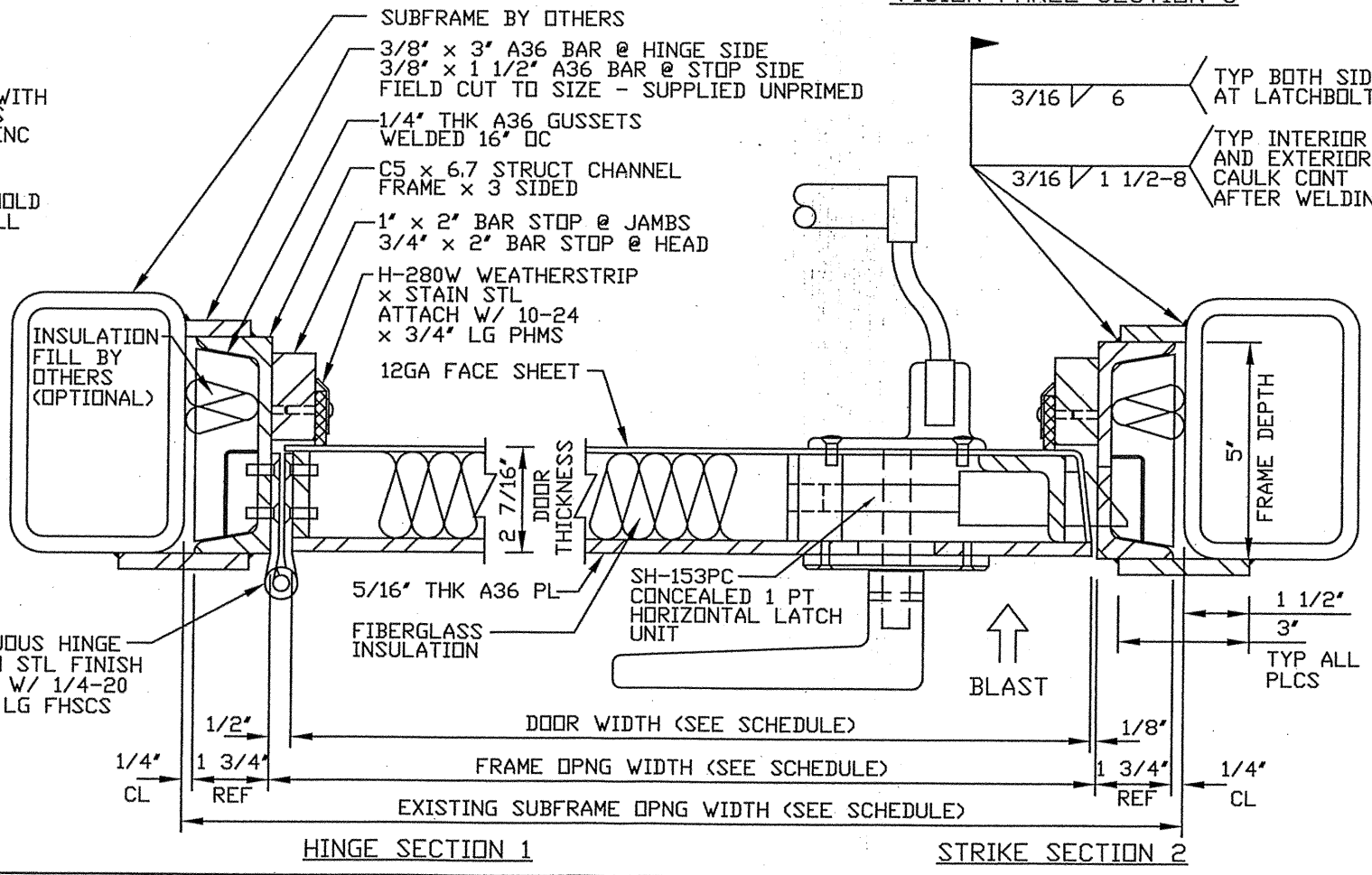
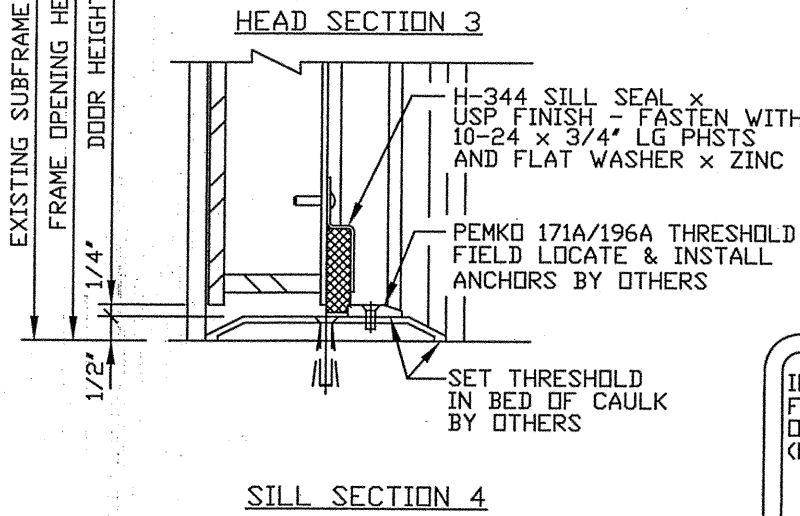
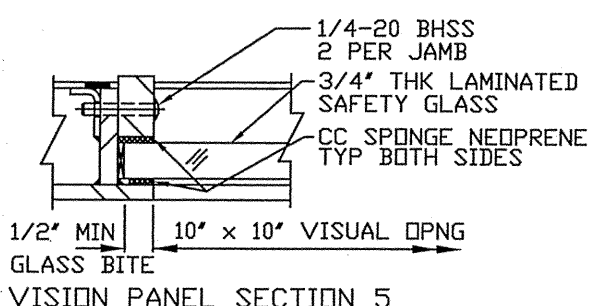


GROUP	QUAN.	MARK NO	HAND	LOCATION		EXISTING WALL OPNG		FRAME OPNG		DOOR SIZE		DOOR ELEV	SECTIONS					PRESSURE
				HINGE SIDE	STOP SIDE	WIDTH	HEIGHT	WIDTH	HEIGHT	WIDTH	HEIGHT		HINGE	STRIKE	HEAD	SILL	VP	
1	1 SGL	D1	RHRB	EXTERIOR	INTERIOR	40"	86"	36"	84"	35 3/8"	83 1/8"	A	1	2	3	4	5	4 PSI @ 250MS
1	1 SGL	D4	RHRB	EXTERIOR	INTERIOR	40"	86"	36"	84"	35 3/8"	83 1/8"	A	1	2	3	4	5	5 PSI @ 350MS
1	1 SGL	D6	RHRB	EXTERIOR	INTERIOR	40"	86"	36"	84"	35 3/8"	83 1/8"	A	1	2	3	4	5	2 PSI @ 300MS
1	1 SGL	D9	RHRB	EXTERIOR	INTERIOR	40"	86"	36"	84"	35 3/8"	83 1/8"	A	1	2	3	4	5	4 PSI @ 250MS
1	1 SGL	D10	RHRB	EXTERIOR	INTERIOR	40"	86"	36"	84"	35 3/8"	83 1/8"	A	1	2	3	4	5	4 PSI @ 250MS
1	1 SGL	D16	RHRB	EXTERIOR	INTERIOR	40"	86"	36"	84"	35 3/8"	83 1/8"	A	1	2	3	4	5	5 PSI @ 300MS



**IMPORTANT NOTE: (GROUP 1)**  
 WALL MUST BE CAPABLE OF SUPPORTING 112 LB/IN MAX PER JAMB AND 77 LB/IN MAX AT HEAD IN THE SEATING DIRECTION AND UNSEATING LOADS AS FOLLOWS:  
 AT LATCHBOLT 1569 LBS MAX  
 AT CONT. HINGE 12.5 LBS/IN MAX

- FRAME INSTALLATION**
1. PROPERLY BRACE AND SUPPORT FRAME DURING INSTALLATION.
  2. JAMBS MUST BE PLUMB.
  3. HEAD MUST BE LEVEL.
  4. ALL DIMENSIONS TO BE WITHIN 1/16".
  5. DIAGONAL DIMENSIONS TO BE TO BE WITHIN 1/8".




**NOTICE**  
 THIS IS A CONFIDENTIAL DISCLOSURE LOANED BY PROTECTIVE DOOR IND. SUBJECT TO THE CONDITIONS THAT IT AND THE INFORMATION EMBODIED THEREIN SHALL BE USED ONLY FOR RECORD AND REFERENCE PURPOSES, SHALL NOT BE USED OR CAUSED TO BE USED IN ANYWAY PREJUDICIAL TO THE INTEREST OF THIS COMPANY, SHALL NOT BE REPRODUCED OR COPIED IN WHOLE OR IN PART, AND SHALL BE RETURNED UPON REQUEST.

**GENERAL CONDITIONS**  
 P.D.I. WILL NOT BE LIABLE FOR ANY ERRORS OCCURRING TO OTHER TRADES THROUGH THE USE OF THIS DRAWING.  
 CONTRACTOR TO CHECK ALL DIMENSIONS AT JOB AS P.D.I. ASSUMES NO RESPONSIBILITY FOR GENERAL BUILDING DIMENSIONS.

- NOTES:**
1. DESIGN PRESSURE: SEE DOOR SCHEDULE. PEAK REFLECTED PRESSURE Pr SEATS DOOR IN FRAME. REBOUND LOADS AS CALCULATED.
  2. FINISH: KEM KROMIK GREY PRIMER
  3. FIRE RATING: NONE
  4. HARDWARE BY PDI:
    - (1) CONTINUOUS HINGE x DOOR HEIGHT 8GA STAIN STL LEAVES x 3/8" DIA SS PIN x 6" OPEN WIDTH x BRUSHED FINISH
    - (1) SH-153PC 1 PT HORIZONTAL HARDWARE LEVER x EXIT BAR TRIM x US32D FINISH FUNCTION: BHMA 08 SIM TO CLASSROOM
    - (1) YALE #4400 CLOSER x PA x ALUM FINISH
    - (1) PDI H-280W WEATHERSTRIP x STAIN STL
    - (1) PDI H-344 SILL SWEEP x USP FINISH
    - (1) PEMKO #171A/196A THRESHOLD x ALUM
  5. HARDWARE BY OTHERS:
    - (1) MORTISED KEY CYLINDER x LONG CAM IF POSSIBLE SEND TO PDI FOR FACTORY INSTALLATION

DATE	MK	DESCRIPTION	BY
REVISIONS			

CUSTOMER:  
 PROJECT:

  
 PROTECTIVE DOOR INDUSTRIES  
 HARVEY, ILLINOIS 60426

**TITLE** DB-X BLAST RESISTANT DOOR AND FRAME

DWG BY	LF	CHKD BY	MF
DATE	4/19/10	DATE	4/28/10
SCALE	QA		
DWG NO.	1858-10	SHT NO.	1

PLOT SCALE 1=4

MASTER