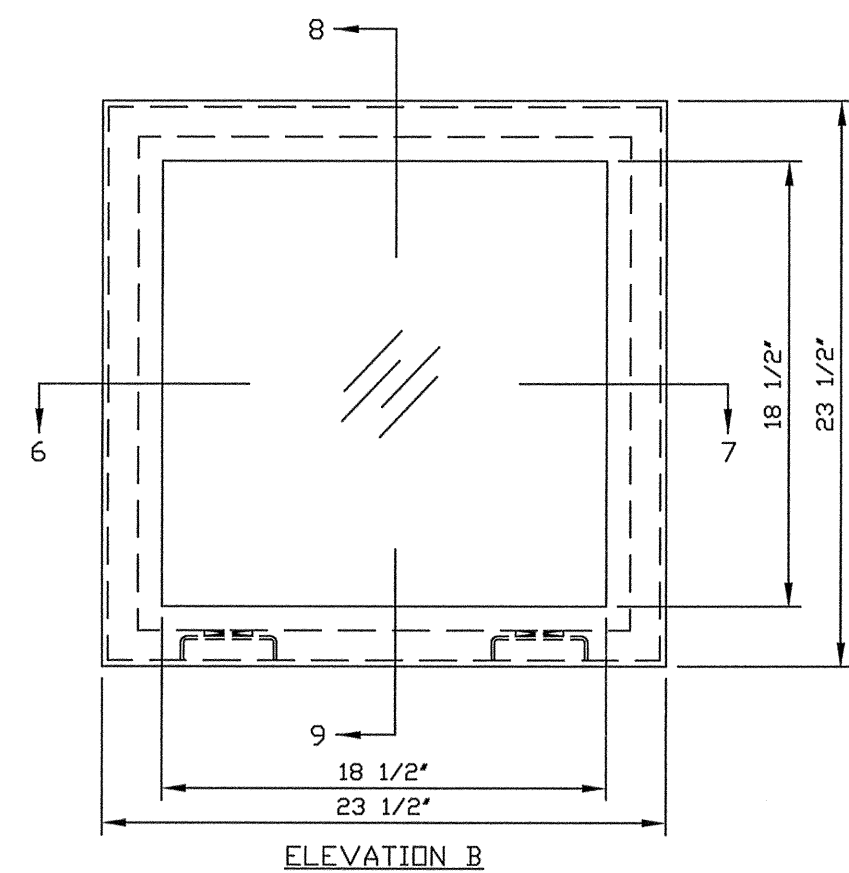
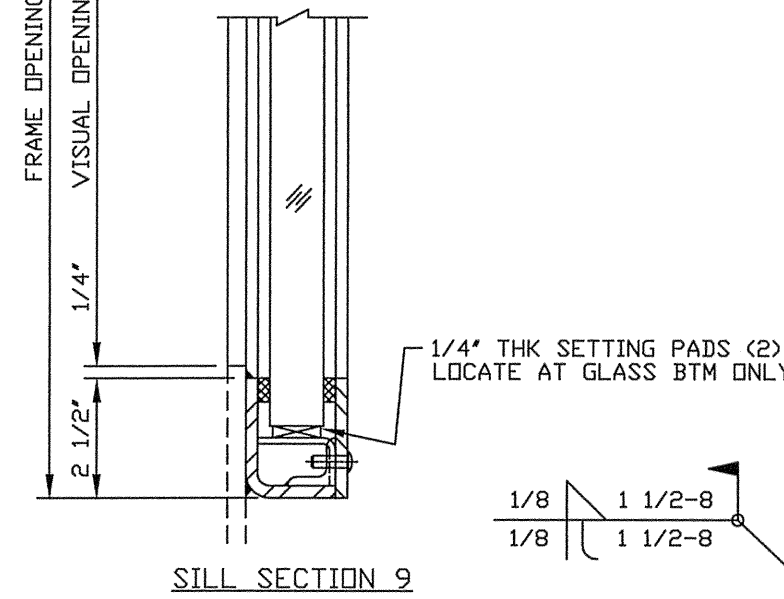
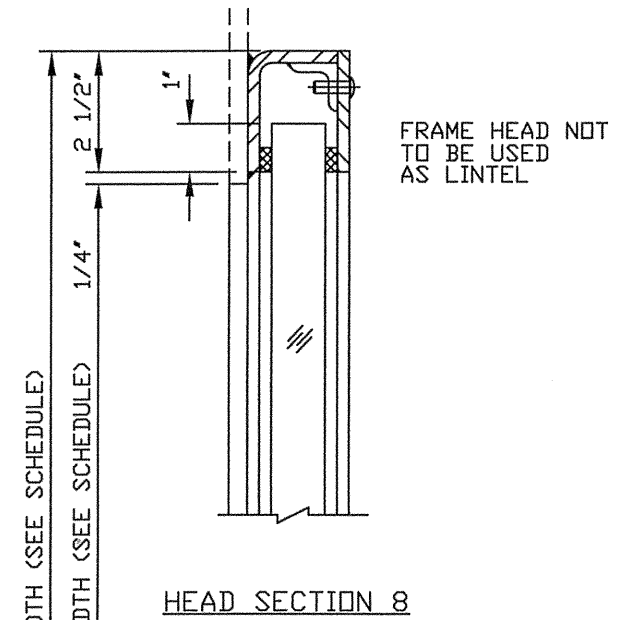
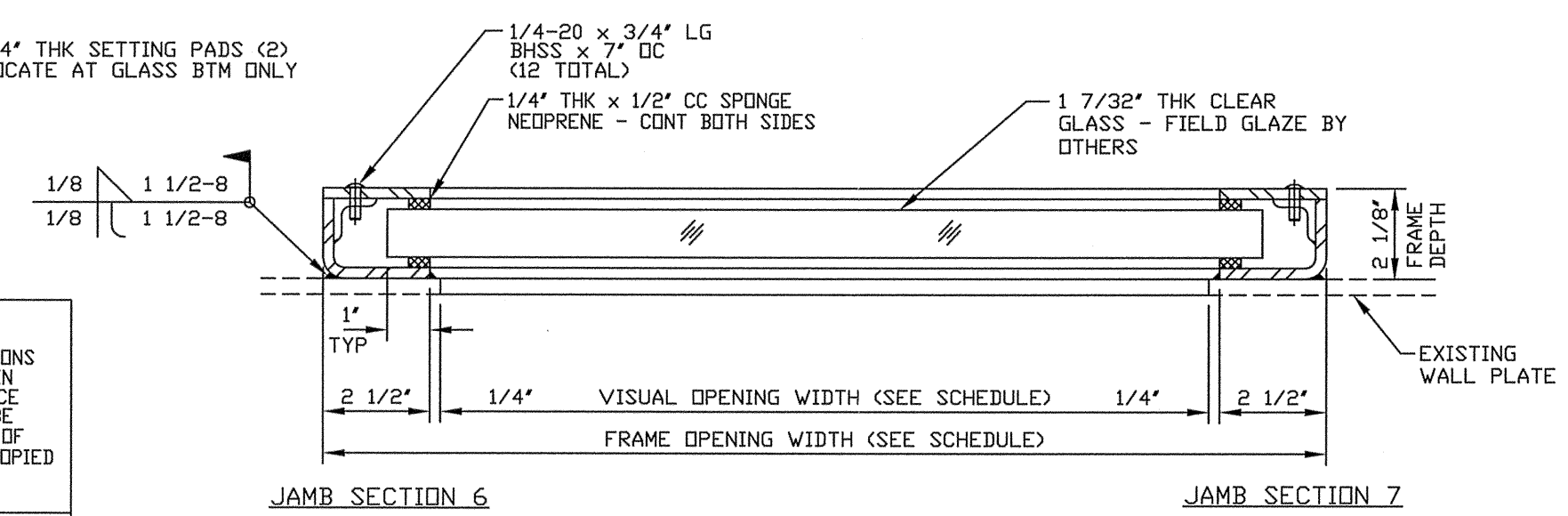


QUAN.	MARK NO	HAND	LOCATION		EXISTING OPNG		OVERALL FRAME		VISUAL OPNING		ELEV	SECTIONS				REMARKS
			EXTERIOR	INTERIOR	WIDTH	HEIGHT	WIDTH	HEIGHT	WIDTH	HEIGHT		JAMB	JAMB	HEAD	SILL	
2	1 & 2	NA	ADVISE	ADVISE	18'	18'	23 1/2"	23 1/2"	18 1/2"	18 1/2"	B	6	7	8	9	

- NOTES:
- DESIGN PRESSURE: 100 PSF STATIC EQUIVALENT PRESSURE W/ 100% REBOUND
  - BALLISTIC LEVEL: UL752 LEVEL 1 MSPA GLASS ONLY
  - FINISH: STD GREY PRIMER
  - WALL MUST BE CAPABLE OF SUPPORTING A MAX OF 4 LBS/IN AROUND THE ENTIRE PERIMETER IN THE SEATING AND UNSEATING DIRECTION



- FRAME INSTALLATION
- PROPERLY BRACE AND SUPPORT FRAME DURING INSTALLATION
  - JAMBS MUST BE PLUMB
  - HEAD MUST BE LEVEL
  - ALL DIMENSIONS TO BE WITHIN 1/16"
  - DIAGONAL DIMENSIONS TO BE TO BE WITHIN 1/8"



**NOTICE**

THIS IS A CONFIDENTIAL DISCLOSURE LOANED BY PROTECTIVE DOOR IND. SUBJECT TO THE CONDITIONS THAT IT AND THE INFORMATION EMBODIED THEREIN SHALL BE USED ONLY FOR RECORD AND REFERENCE PURPOSES, SHALL NOT BE USED OR CAUSED TO BE USED IN ANYWAY PREJUDICIAL TO THE INTEREST OF THIS COMPANY, SHALL NOT BE REPRODUCED OR COPIED IN WHOLE OR IN PART, AND SHALL BE RETURNED UPON REQUEST.

**GENERAL CONDITIONS**

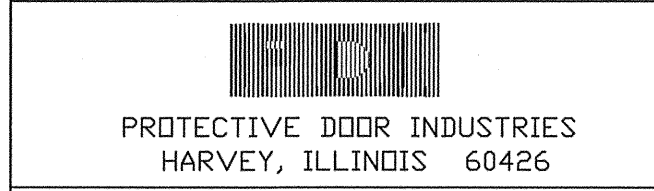
P.D.I. WILL NOT BE LIABLE FOR ANY ERRORS OCCURRING TO OTHER TRADES THROUGH THE USE OF THIS DRAWING. CONTRACTOR TO CHECK ALL DIMENSIONS AT JOB AS P.D.I. ASSUMES NO RESPONSIBILITY FOR GENERAL BUILDING DIMENSIONS.

DATE	MK	DESCRIPTION	BY

REVISIONS

CUSTOMER:

PROJECT:



TITLE: DB-X WINDOW ELEVATION AND DETAILS

DWG BY	LF	CHKD BY	
DATE	3/22/11	DATE	
SCALE		QA	
DWG NO.	1921-11	SHT NO.	2

PLT SCALE 1=4  
1921-2

MASTER