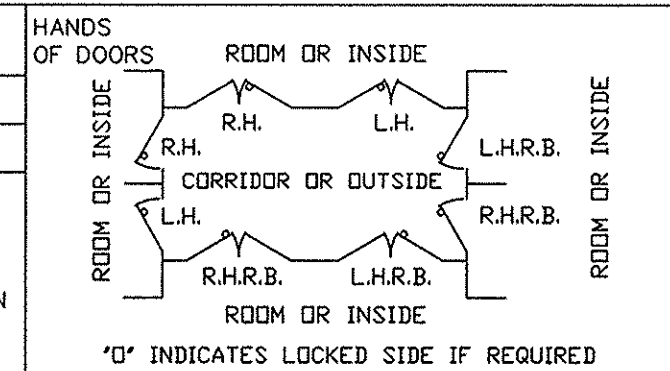


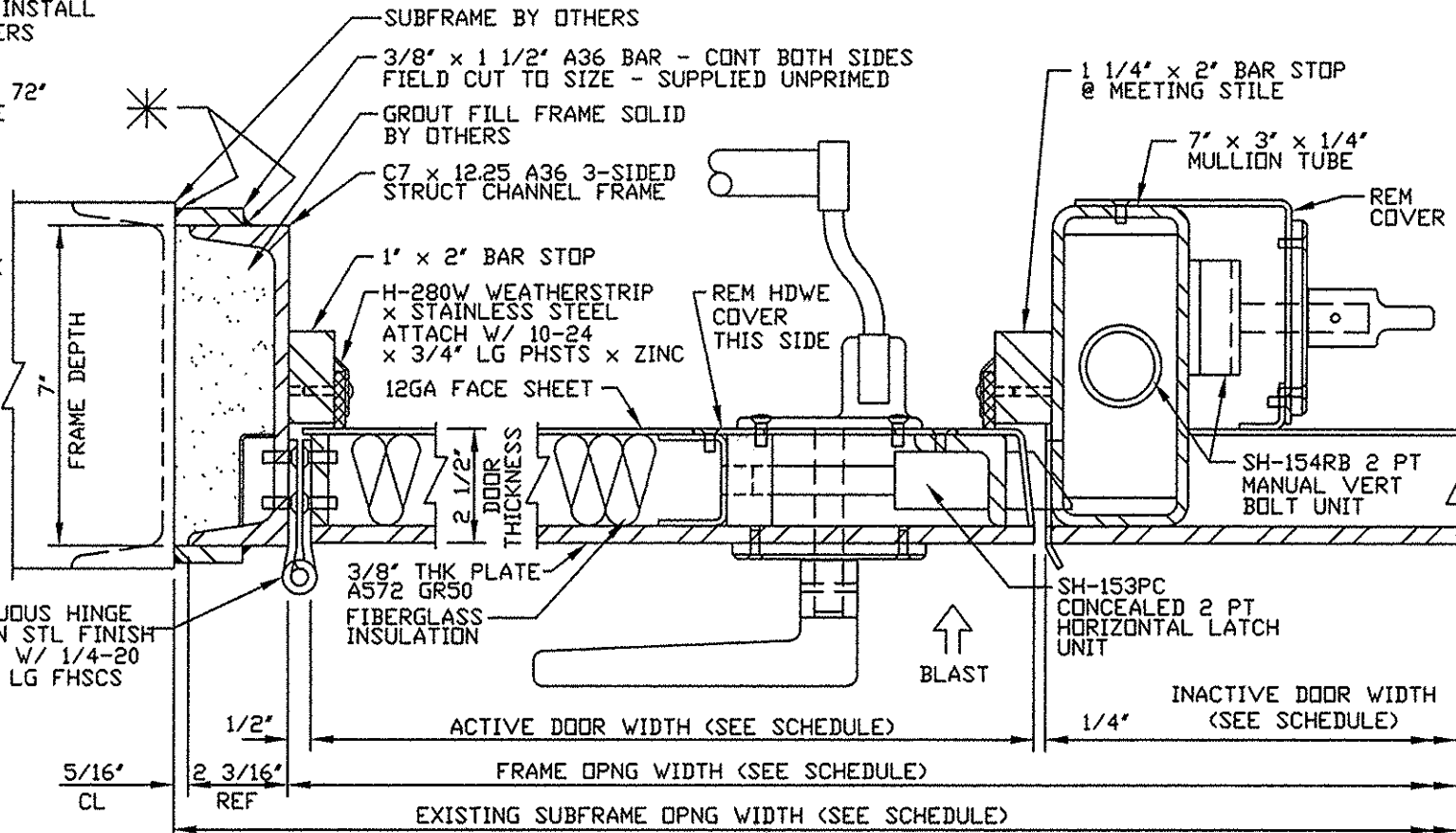
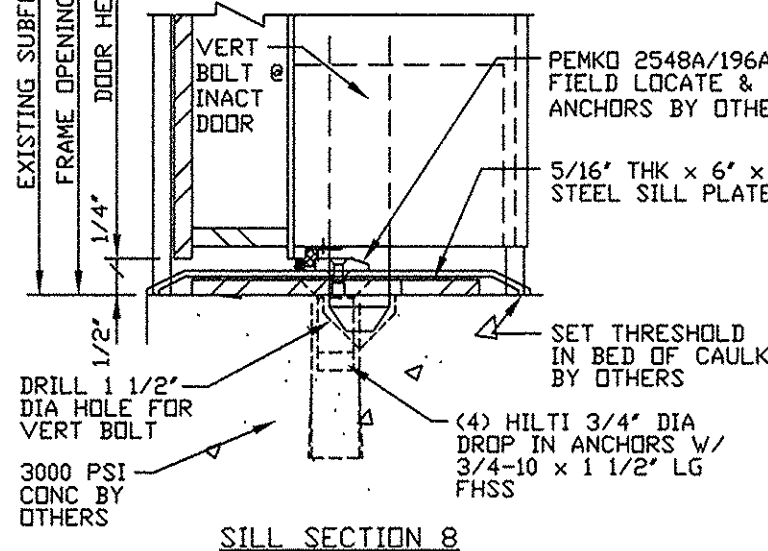
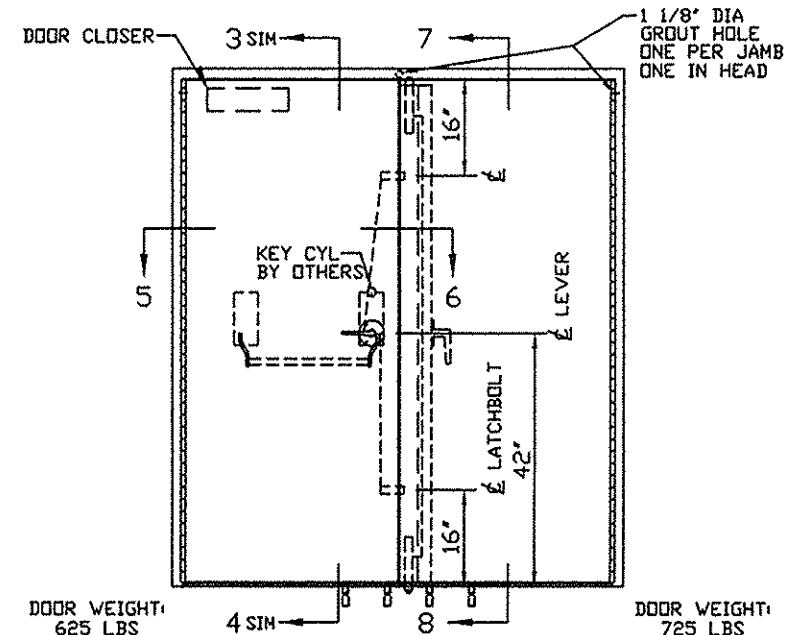
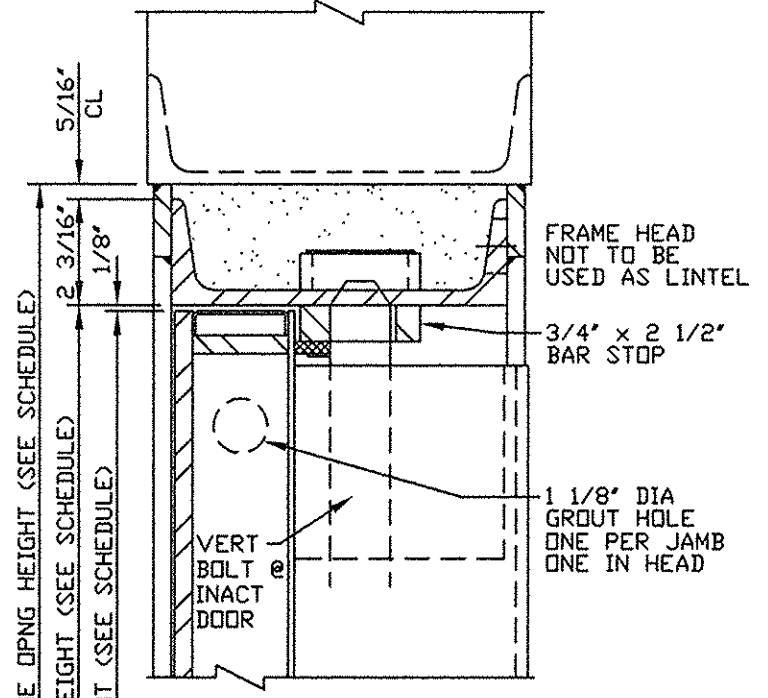
QUAN.	MARK NO	HAND	LOCATION		EXISTING WALL OPNG		FRAME OPNG		DOOR SIZE		DOOR ELEV	SECTIONS				REMARKS
			HINGE SIDE	STOP SIDE	WIDTH	HEIGHT	WIDTH	HEIGHT	WIDTH	HEIGHT		HINGE	STRIKE	HEAD	SILL	
1 PR	1	RHRB ACTIVE	EXTERIOR	AIRLOCK 100	77'	86 1/2'	72'	84'	35 3/8'	83 1/8'	B	5	6	7	8	
1 PR	3	LHRB ACTIVE	EXTERIOR	ELEC 109	77'	98 1/2'	72'	96'	35 3/8'	95 1/8'	B	5	6	7	8	



- NOTES:**
- DESIGN PRESSURE: $P_r = 4.2$ PSI SEATING PRESSURE FOR 100 MS W/ REBOUND AS CALCULATED
 - FIRE RATING: NONE
 - FINISH: KEM KROMIK GREY PRIMER
 - HARDWARE BY PDI:
 - (2) CONTINUOUS HINGES x DOOR HEIGHT 8GA STAIN STL LEAVES x 3/8" DIA SS PIN x 6" OPEN WIDTH x BRUSHED FINISH
 - (1) SH-153PC 2 PT HORIZONTAL HARDWARE LEVER x EXIT BAR TRIM x US32D FINISH x LESS CYL FUNCTION: SIM TO 08 @ ACTIVE DOOR ONLY
 - (1) SH-154RB 2 PT VERT MANUAL HARDWARE LEVER x NO EXT TRIM x US32D FINISH @ INACTIVE DOOR
 - (1) YALE #4400 CLOSER x PA x ALUM FINISH @ ACTIVE DOOR ONLY
 - (1) PDI H-280W WEATHERSTRIP x SS FINISH
 - (2) PDI H-344 SILL SWEEP x USP FINISH
 - (1) PEMKO #2548A/196A THRESHOLD x ALUM
 - HARDWARE BY OTHERS:
 - (1) RIM KEY CYLINDER - IF POSSIBLE SHIP TO PDI FOR FACTORY INSTALLATION

IMPORTANT NOTE:
 WALL MUST BE CAPABLE OF SUPPORTING 94 LB/IN MAX PER JAMB, 63 LB/IN MAX AT HEAD AND 8976 LBS CONCENTRATED AT VERT BOLT IN THE SEATING DIRECTION AND UNSEATING LOADS AS FOLLOWS:
 AT VERT BOLTS 5621 LBS MAX AT CONT. HINGE 47 LBS/IN MAX
 FLOOR/SILL EMBED MUST BE CAPABLE OF SUPPORTING:
 11241 LBS SEATING
 5621 LBS UNSEATING
 AT BTM VERT BOLT

- FRAME INSTALLATION**
- PROPERLY BRACE AND SUPPORT FRAME DURING INSTALLATION.
 - JAMBS MUST BE PLUMB.
 - HEAD MUST BE LEVEL.
 - ALL DIMENSIONS TO BE WITHIN 1/16".
 - DIAGONAL DIMENSIONS TO BE TO BE WITHIN 1/8".




NOTICE
 THIS IS A CONFIDENTIAL DISCLOSURE LOANED BY PROTECTIVE DOOR IND. SUBJECT TO THE CONDITIONS THAT IT AND THE INFORMATION EMBODIED THEREIN SHALL BE USED ONLY FOR RECORD AND REFERENCE PURPOSES, SHALL NOT BE USED OR CAUSED TO BE USED IN ANYWAY PREJUDICIAL TO THE INTEREST OF THIS COMPANY, SHALL NOT BE REPRODUCED OR COPIED IN WHOLE OR IN PART, AND SHALL BE RETURNED UPON REQUEST.

GENERAL CONDITIONS
 P.D.I. WILL NOT BE LIABLE FOR ANY ERRORS OCCURRING TO OTHER TRADES THROUGH THE USE OF THIS DRAWING. CONTRACTOR TO CHECK ALL DIMENSIONS AT JOB AS P.D.I. ASSUMES NO RESPONSIBILITY FOR GENERAL BUILDING DIMENSIONS.

DATE	MK	DESCRIPTION	BY
REVISIONS			

CUSTOMER:
 PROJECT:


 PROTECTIVE DOOR INDUSTRIES
 HARVEY, ILLINOIS 60426

TITLE			
DB-X PAIR BLAST RESISTANT DOOR AND FRAME			
DWG BY	MF	CHKD BY	
DATE	2/17/12	DATE	
SCALE		QA	
DWG NO.	1981-12	SHT NO.	2

PLOT SCALE 1=4
 1981-2

MASTER