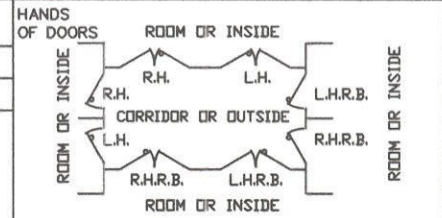
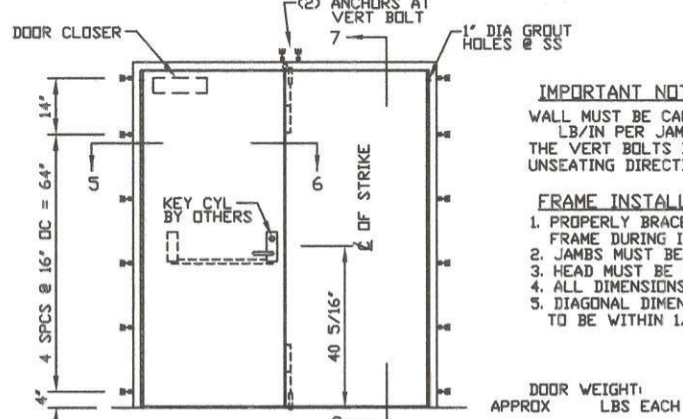
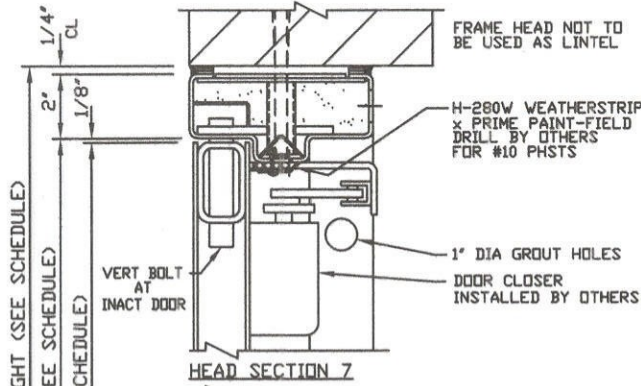


QUAN.	MARK NO	HAND	LOCATION		EXISTING WALL OPNG		FRAME OPNG		DOOR SIZE		DOOR ELEV	SECTIONS				REMARKS
			HINGE SIDE	STOP SIDE	WIDTH	HEIGHT	WIDTH	HEIGHT	WIDTH	HEIGHT		HINGE	STRIKE	HEAD	SILL	
											B	5	6	7	8	



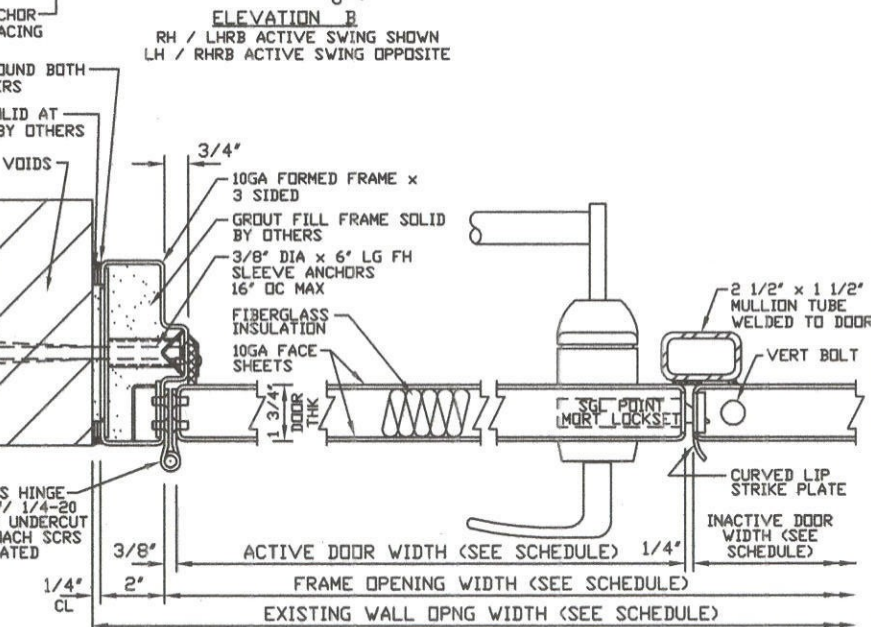
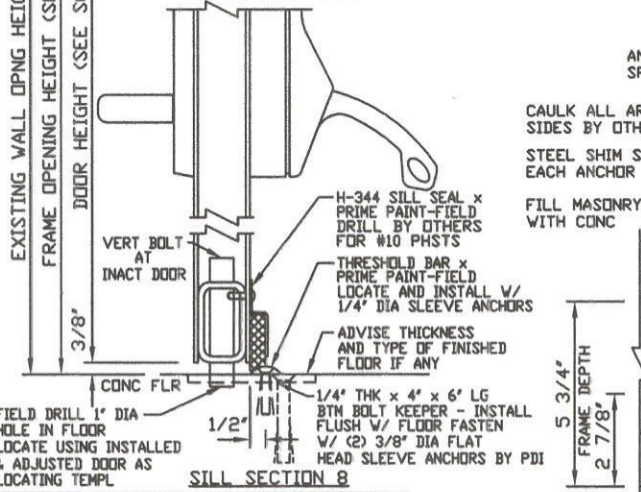
"O" INDICATES LOCKED SIDE IF REQUIRED

- NOTES:
- DESIGN PRESSURE: STATIC EQUIVALENT PRESSURE W/ 100% REBOUND
 - FIRE RATING: UL 3 HR (A) FIRE LABEL
 - FINISH: STD GREY PRIMER
 - HARDWARE BY PDI:
 - (1) CONTINUOUS HINGE-11GA STAIN STL LEAVES x 1/4" DIA SS PIN x BRUSHED FINISH
 - (1) CORBIN #ED-6600A MORTISED EXIT DEVICE x C3M55 TRIM x US26D FINISH (LESS CYL) FUNCTION 08 (MODIFIED TO RESIST PRESSURE)
 - (1) PDI #458 MANUAL FLUSHBOLTS x 12" LG x US26D FINISH (INACTIVE DOOR) (MODIFIED TO RESIST PRESSURE)
 - (1) YALE #4400 DOOR CLOSER x PARALLEL ARM x ALUM FINISH
 - (1) PDI H-280W WEATHERSTRIP x USP FINISH
 - (1) PDI H-344 SILL SWEEP x USP FINISH
 - (1) PDI HALF OVAL THRESHOLD BAR x USP FINISH
 - HARDWARE BY OTHERS:
 - (1) MORTISED KEY CYLINDER x 1 3/4" LG x CAM FOR CORBIN EXIT DEVICE



IMPORTANT NOTE:
WALL MUST BE CAPABLE OF SUPPORTING LB/IN PER JAMB AND LBS AT THE VERT BOLTS IN THE SEATING AND UNSEATING DIRECTION.

- FRAME INSTALLATION**
- PROPERLY BRACE AND SUPPORT FRAME DURING INSTALLATION
 - JAMBS MUST BE PLUMB
 - HEAD MUST BE LEVEL
 - ALL DIMENSIONS TO BE WITHIN 1/16"
 - DIAGONAL DIMENSIONS TO BE WITHIN 1/8"



CAULK ALL AROUND BOTH SIDES BY OTHERS

STEEL SHIM SOLID AT EACH ANCHOR BY OTHERS

FILL MASONRY VOIDS WITH CONC

CONTINUOUS HINGE INSTALL W/ 1/4-20 x 3/4" LG UNDERCUT FLAT HD MACH SCRS x ZINC PLATED

NOTICE

THIS IS A CONFIDENTIAL DISCLOSURE LOANED BY PROTECTIVE DOOR IND. SUBJECT TO THE CONDITIONS THAT IT AND THE INFORMATION EMBODIED THEREIN SHALL BE USED ONLY FOR RECORD AND REFERENCE PURPOSES, SHALL NOT BE USED OR CAUSED TO BE USED IN ANYWAY PREJUDICIAL TO THE INTEREST OF THIS COMPANY, SHALL NOT BE REPRODUCED OR COPIED IN WHOLE OR IN PART, AND SHALL BE RETURNED UPON REQUEST.

GENERAL CONDITIONS

P.D.I. WILL NOT BE LIABLE FOR ANY ERRORS OCCURRING TO OTHER TRADES THROUGH THE USE OF THIS DRAWING.

CONTRACTOR TO CHECK ALL DIMENSIONS AT JOB AS P.D.I. ASSUMES NO RESPONSIBILITY FOR GENERAL BUILDING DIMENSIONS.

DATE	MK	DESCRIPTION	BY
REVISIONS			

CUSTOMER:

PROJECT:

PROTECTIVE DOOR INDUSTRIES
 HARVEY, ILLINOIS 60426

TITLE DB-100 PAIR BLAST RESISTANT DOOR AND FRAME

DWG BY	CHKD BY
DATE	DATE
SCALE	QA
DWG NO.	SHT NO.

PLOT SCALE: 1=4