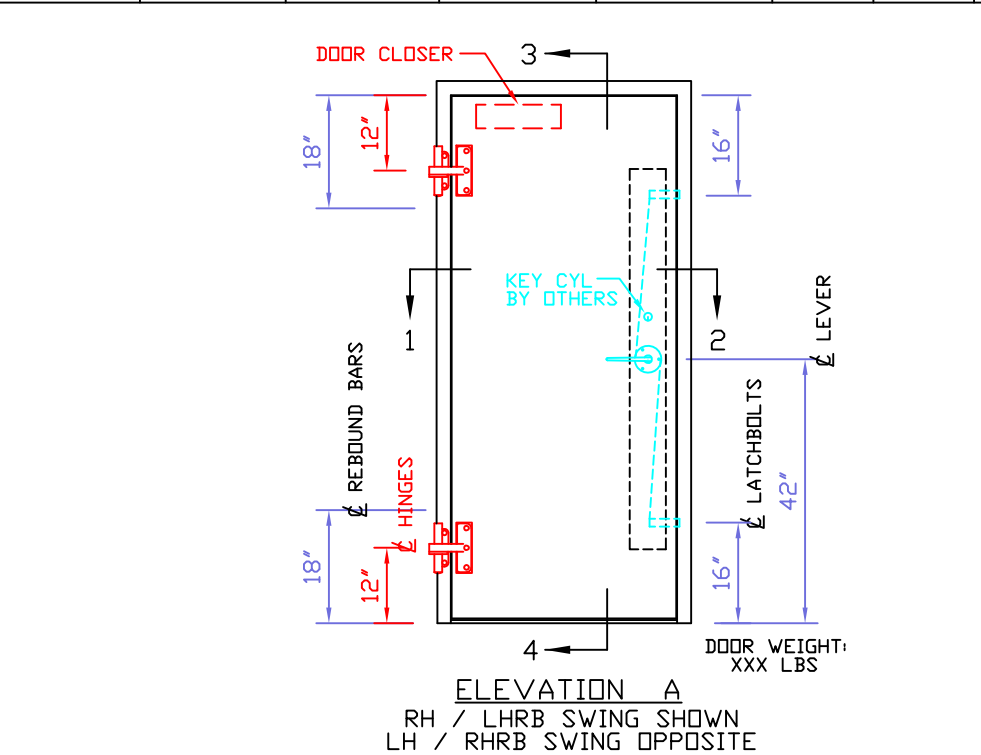
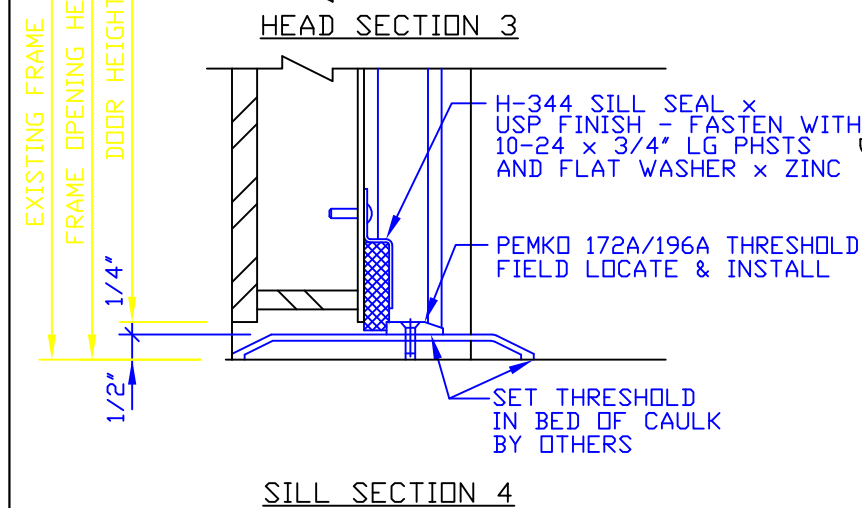
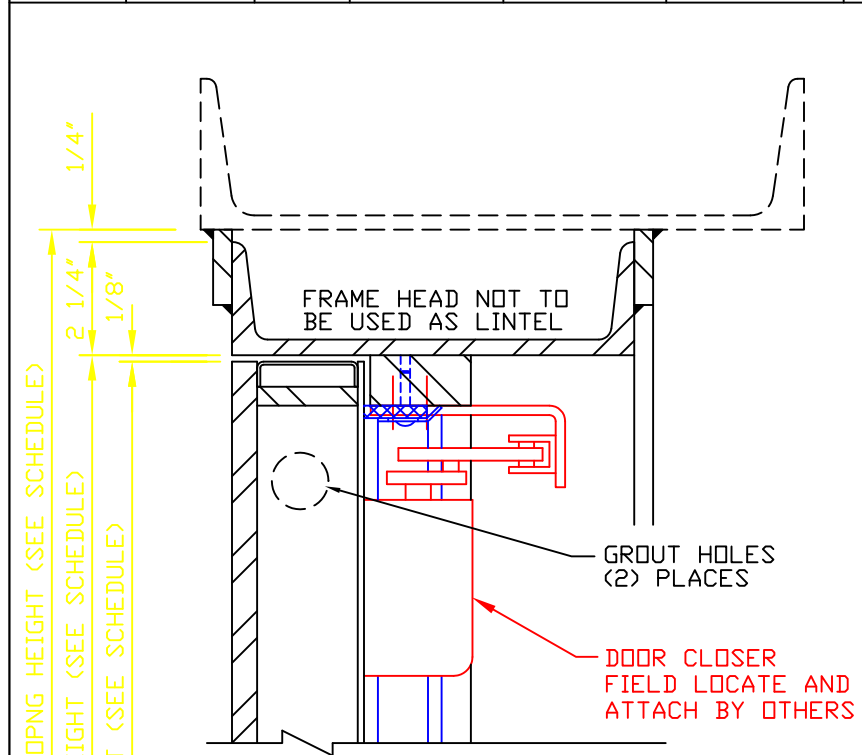
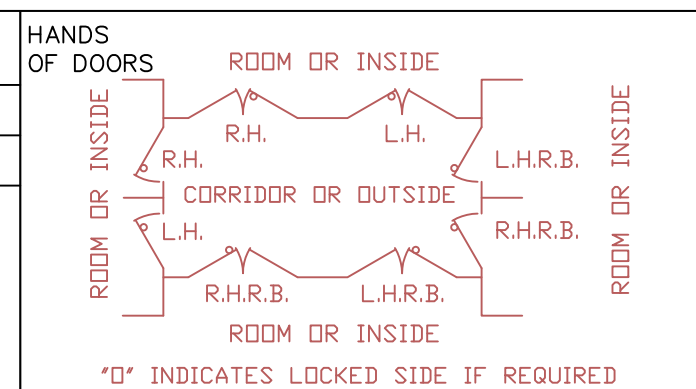
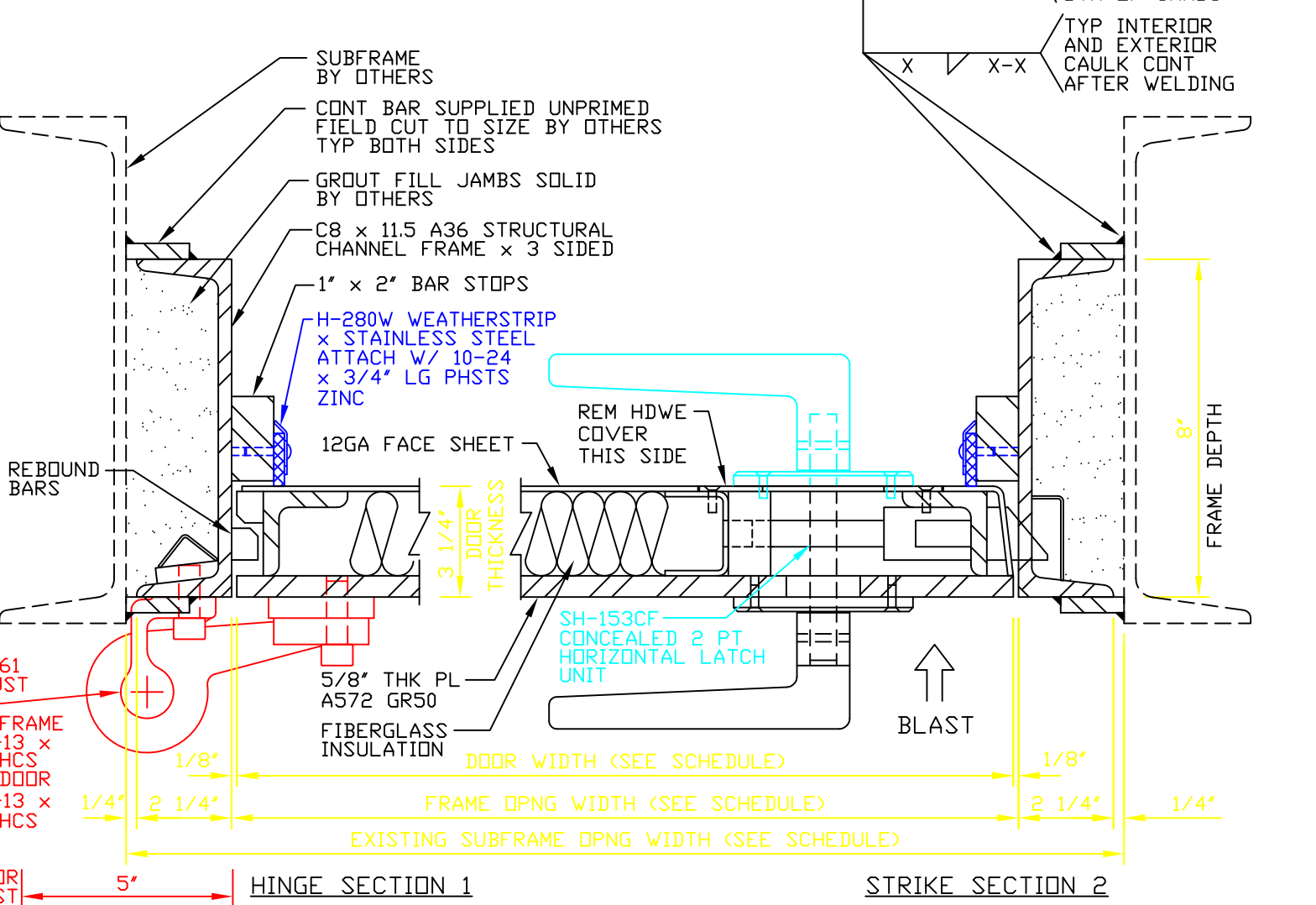


QUAN.	MARK NO	HAND	LOCATION		EXISTING WALL OPNG		FRAME OPNG		DOOR SIZE		DOOR ELEV	SECTIONS				REMARKS
			HINGE SIDE	STOP SIDE	WIDTH	HEIGHT	WIDTH	HEIGHT	WIDTH	HEIGHT		HINGE	STRIKE	HEAD	SILL	
1	SGL		EXTERIOR	INTERIOR	41"	86 1/2"	36"	84"	35 3/4"	83 1/8"	A	1	2	3	4	



IMPORTANT NOTE:
WALL MUST BE CAPABLE OF SUPPORTING XXX LB/IN PER JAMB IN THE SEATING DIRECTION AND UNSEATING CONCENTRATED LOADS AS FOLLOWS:
AT LATCHBOLTS XXXXX LBS
AT REBOUND BARS XXXXX LBS

- FRAME INSTALLATION**
1. PROPERLY BRACE AND SUPPORT FRAME DURING INSTALLATION.
 2. JAMBS MUST BE PLUMB.
 3. HEAD MUST BE LEVEL.
 4. ALL DIMENSIONS TO BE WITHIN 1/16".
 5. DIAGONAL DIMENSIONS TO BE TO BE WITHIN 1/8".



NOTICE
THIS IS A CONFIDENTIAL DISCLOSURE LOANED BY PROTECTIVE DOOR IND. SUBJECT TO THE CONDITIONS THAT IT AND THE INFORMATION EMBODIED THEREIN SHALL BE USED ONLY FOR RECORD AND REFERENCE PURPOSES, SHALL NOT BE USED OR CAUSED TO BE USED IN ANYWAY PREJUDICIAL TO THE INTEREST OF THIS COMPANY, SHALL NOT BE REPRODUCED OR COPIED IN WHOLE OR IN PART, AND SHALL BE RETURNED UPON REQUEST.

GENERAL CONDITIONS
P.D.I. WILL NOT BE LIABLE FOR ANY ERRORS OCCURRING TO OTHER TRADES THROUGH THE USE OF THIS DRAWING. CONTRACTOR TO CHECK ALL DIMENSIONS AT JOB AS P.D.I. ASSUMES NO RESPONSIBILITY FOR GENERAL BUILDING DIMENSIONS.

- (1) PR SH-461 6 WAY ADJUST HINGES FASTEN TO FRAME W/ (2) 1/2-13 x 1 1/4" LG SHCS FASTEN TO DOOR W/ (3) 1/2-13 x 1 1/2" LG SHCS

- NOTES:**
1. DESIGN PRESSURE: XX PSI PEAK REFLECTIVE (Pr) SEATING PRESSURE FOR XX MILLISECONDS W/ REBOUND AS CALCULATED
 2. FINISH: KEM KROMIK GREY PRIMER
 3. FIRE RATING: NONE
 4. HARDWARE BY PDI:
 - (1) PR SH-461 6 WAY ADJUST HINGES x USP FINISH
 - (1) SH-153CF 2 PT HORIZONTAL HARDWARE LEVER x LEVER TRIM x US32D FINISH FUNCTION: SIM TO CLASSROOM F05
 - (1) YALE #4400 CLOSER x PA x ALUM FINISH
 - (1) PDI H-280W WEATHERSTRIP x USP FINISH
 - (1) PDI H-344 SILL SWEEP x USP FINISH
 - (1) PEMKO #172A/196A THRESHOLD x ALUM
 5. HARDWARE BY OTHERS: ANY HARDWARE NOT LISTED ABOVE
 - (1) MORTISED KEY CYLINDER

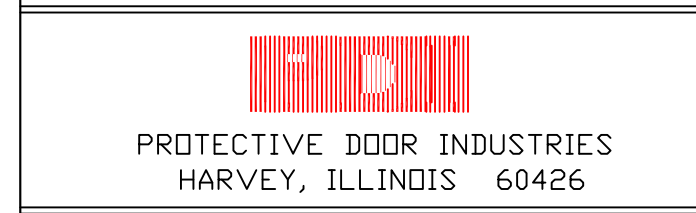


DATE	MK	DESCRIPTION	BY

REVISIONS

CUSTOMER: REFERENCE ONLY

PROJECT:



TITLE	
DB-X SINGLE BLAST RESISTANT DOOR AND FRAME	
DWG BY	CHKD BY
DATE	DATE
SCALE	QA
DWG NO.	SHT NO.

PLOT SCALE 1=4